

# Torres Area Light

landscapeforms®

Product Data Sheet | AH236 & AH256



Torres lights are a beautiful complement to urban landscapes and traditional and contemporary architecture, improving, but not altering, the composition. The advanced LED array and optic design provides directed warm white light with superior visibility to extend the safe use of outdoor spaces. Torres lights are cast aluminum and offered in a full color palette finished with Landscape Forms proprietary Pangard II® HAPS, VOC, and lead-free polyester powdercoat.

## General Description

- Single, double, or staggered configurations
- Offered in 5 standard pole heights (12', 14', 16', 20', and 25')
- Optional integrated Wattstopper® FSP-211 photo/motion sensor
- Optional ANSI136.41 7-pin twist lock receptacle
- Mounting template and anchor hardware included
- Cast aluminum luminaire ships prewired and fully assembled
- Zero up-light, International Dark-Sky approved
- UL Listed, suitable for wet locations

## Electrical

Surge protected 100V-277V 50/60 Hz, Class 2 integrated LED 0-10V dimmable driver. LED cartridge with weatherproof quick disconnect provides ease of installation and serviceability. Torres area light ships prewired.

## Housing

Luminaire components are cast aluminum. Acrylic lens seals to the LED cartridge housing. Luminaire mounts to a tenon on the pole and is secured with eight set screws. Driver compartment cover is secured by three screws on top of the luminaire. All hardware is magni-coated.

## Torres Area Light

**Light Source:** Nichia LEDs

**Color Temperature:** 3000K, 3500K, 4000K

**CRI:** 80 min

**Optics:** PMMA

**Lens:** Clear or Frosted Acrylic

## Distributions



TII



TIII



TIV

TM21: 60,000hrs

Protection Class: IP66

# Torres Area Light

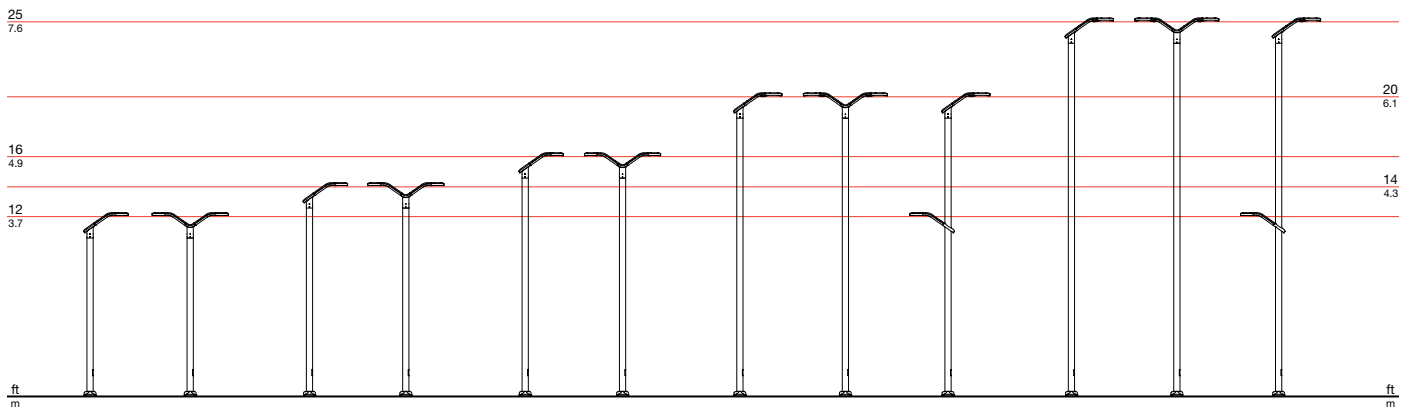


Product Data Sheet | AH236 & AH256

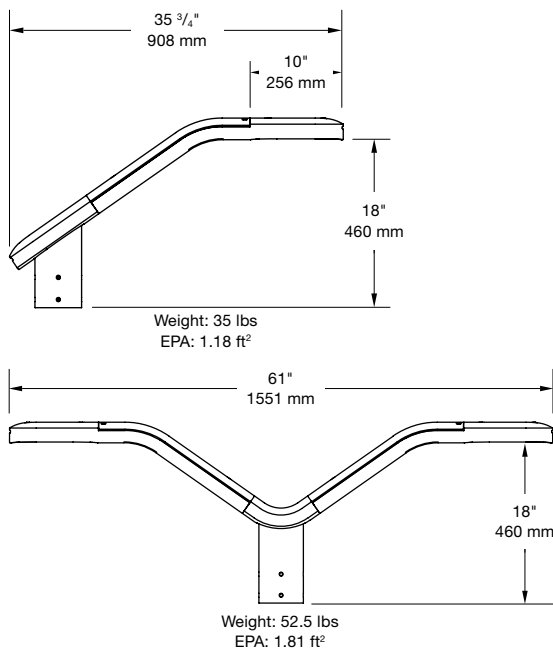


## Pole Description

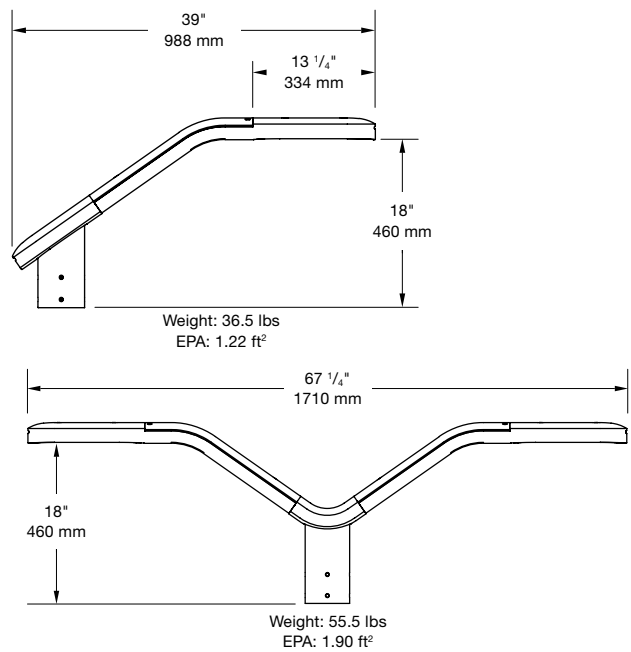
Round pole is 5" in diameter and manufactured from seamless 6061 aluminum tubing and heat treated to produce a T6 temper. Wall thickness varies from 0.125" to 0.250" depending on mounting height and number of luminaires. Flush mounted hand hole cover includes two magni-coated fasteners. Base options included a two piece cast aluminum cover or cast aluminum nut covers. Pole is topped with standard dimension 2 3/8" diameter x 3" tenon.



## Torres Area Light AH236



## Torres Area Light AH256



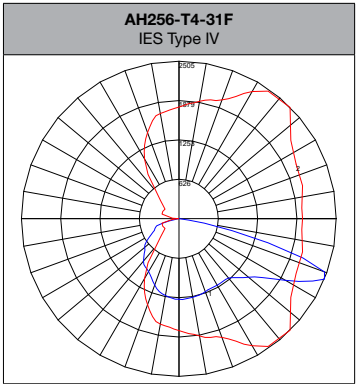
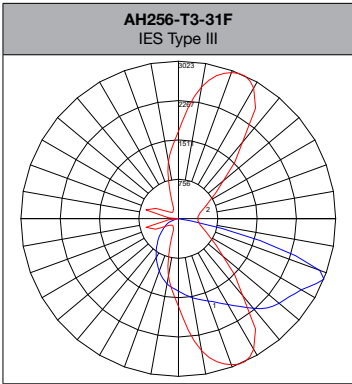
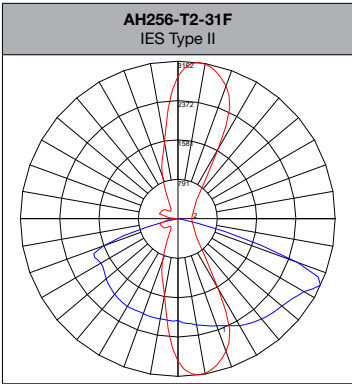
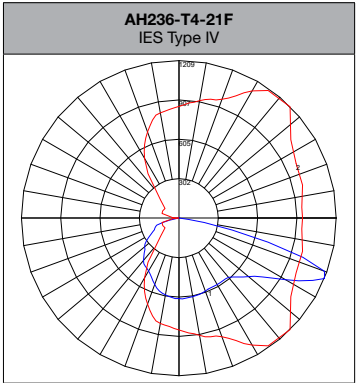
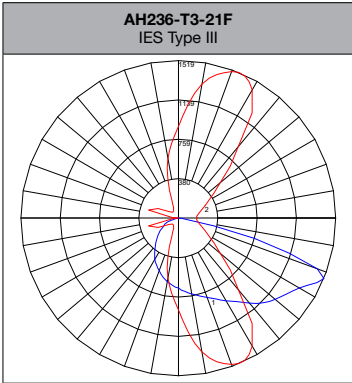
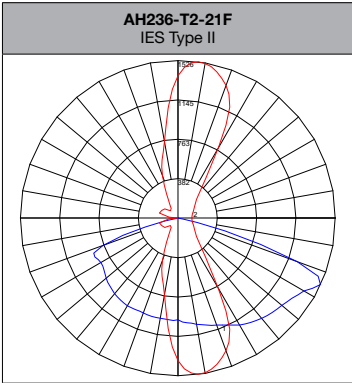
# Torres Area Light

landscapeforms®

Product Data Sheet | AH236 & AH256



Model	Distribution Type	Drive Current	Lumens	Watts	Efficacy	BUG Rating
AH236-T2-21F	Type II	215mA	2886	25	115	B1-U0-G1
AH236-T2-32F	Type II	320mA	4150	38	109	B1-U0-G1
AH236-T3-21F	Type III	215mA	2827	25	113	B1-U0-G1
AH236-T3-32F	Type III	320mA	4065	38	107	B1-U0-G1
AH236-T4-21F	Type IV	215mA	2785	25	111	B1-U0-G1
AH236-T4-32F	Type IV	320mA	4006	38	105	B1-U0-G1
AH256-T2-31F	Type II	310mA	5979	55	109	B2-U0-G1
AH256-T2-41F	Type II	415mA	7753	73	106	B2-U0-G2
AH256-T3-31F	Type III	310mA	5857	55	106	B1-U0-G1
AH256-T3-41F	Type III	415mA	7596	73	104	B2-U0-G1
AH256-T4-31F	Type IV	310mA	5771	55	105	B2-U0-G2
AH256-T4-41F	Type IV	415mA	7484	73	103	B2-U0-G2



# Torres Area Light

landscapeforms®

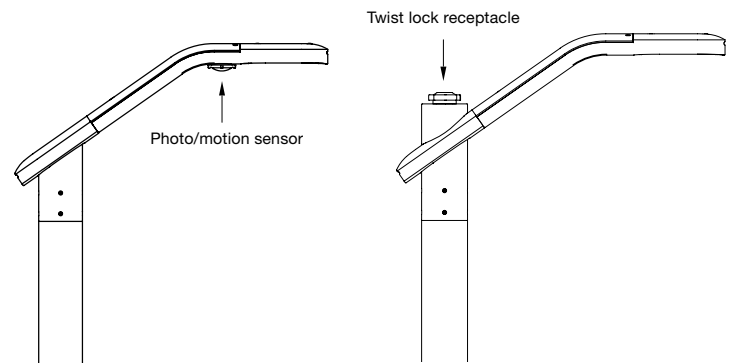
Product Data Sheet | AH236 & AH256



## Photo/Motion Sensor

- Fully adjustable high and low dimmed light levels; optional to dawn control
- Rated for extreme temperatures and up to 200,000 on/off cycles
- Hold off setpoint with automatic calibration option for convenience and added energy savings
- Adjustable via handheld wireless configuration tool
- IP66 rated for wet and outdoor locations
- Adjustable time delay and cut off delay

[Click here](#) to view the technical data sheet for the Wattstopper® FSP-211 photo/motion sensor.



## Finish

Pangard II®, offered exclusively by Landscape Forms, is a 19 step program of cleaning, priming, and powdercoating that resists rusting, chipping, peeling and fading to produce the finest metal finish available for site furniture and outdoor lighting. In addition, Pangard II® contains no heavy metals and is free of Hazardous Air Pollutants.

## Product Modifications

Don't see what you are looking for? Our goal is to partner with you as the designer to manufacture solutions needed for the space you are creating. We offer the option to modify our standard product to meet certain design specifications or needs. Contact your local Landscape Forms representative to learn more about these offerings.

## Product Specifications

Ready to place an order or receive a quote for your project? Reference the Torres Area Light specification sheet available [here](#).

## Warranty

LED lighting products are warranted for six years.

## Certifications

UL Listed, RoHS Compliant, Dark-Sky Approved



*Torres is designed by Rodrigo Torres*

[Click here](#) for patent information related to this product.

Visit [landscapeforms.com](https://landscapeforms.com) for more information. Specifications are subject to change without notice. Landscape Forms supports the Landscape Architecture Foundation at the Second Century level.  
©2022 Landscape Forms, Inc. Printed in U.S.A.

[landscapeforms.com](https://landscapeforms.com) | [specify@landscapeforms.com](mailto:specify@landscapeforms.com)