

# 35 Collection

landscapeforms®

## Product Data Sheet



The 35 Collection is a family of site furniture elements with a youthful spirit and a mission to promote social life in outdoor spaces. Created in collaboration with frog, the design powerhouse renowned for the first Apple computer, 35 integrates forms from architecture and nature in outdoor furniture for the 21st century. The collection includes nine elements: Chill, an iconic chaise lounge; Mingle, a table with attached seats and its companion Shade, a colorful winged shade structure; the Stay cantilevered bench; Pitch, a litter receptacle with a lyrical shape; and three new high performance products: Signal, an innovative LED pedestrian and streetscape light; Guide, an illuminated bollard; and Loop, a bike rack with a twist. 35 Collection elements work together to create integrated design solutions, while each makes a strong design statement all its own.

### Stay™ Bench

- Stay benches are available in backed or backless styles; offered either surface mount or embedded.
- Stay may be ordered with or without arms.
- The seat is perforated steel supported by steel tubing.
- The back is perforated aluminum supported by aluminum extrusions.
- All benches have aluminum end castings.
- End castings come with or without arms.
- Surface mounting plates are made of aluminum.
- Bench ships fully assembled.

### Divider Options

- The optional divider is a contoured cast aluminum component that fits across the seat from back to front; seat dividers may be ordered factory installed, either one or two per bench.
- A single divider leaves 32" of seating space on either side.
- Two dividers leave three 21" seating spaces.

### Mounting Options

- Stay benches may be surface mounted or embedded.
- A surface mount Stay features a factory installed plate with tab, and factory supplied anchor bolts.
- All embedded supports are fitted with four stainless steel threaded rods that slip into adhesive-filled holes drilled into the concrete base.
- Call for mounting recommendations.

### Finishes

- All metal is finished with Landscape Forms' proprietary Panguard II polyester powdercoat, a hard yet flexible finish that resists rusting, chipping, peeling and fading.
- Call for standard color chart.

### Recycled Content

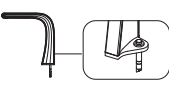
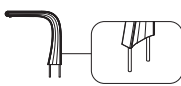
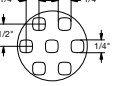
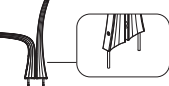
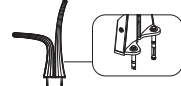
- Stay has a recycled material content of 63% or greater of which 38% is post consumer and 25% is post industrial.

### To Specify

- Specify product name, model description and powdercoat color.
- Specify surface mount or embedded.
- Select number of optional seat dividers.

Note: Paver adapter option available. Call for details.

	Style	Depth	Width	Height	Weight
	Backed Bench	22"	69"	32"	205 lb
	Backed Bench 2 Dividers	23"	69"	32"	225 lb
	Backless Bench	19"	69"	18"	175 lb
	Backless Bench 1 Divider	19"	69"	20"	180 lb
	Backless Bench w/ Arms	20"	69"	26"	185 lb

Backless Surface Mount	Backless Embedded	Detail of Perf
		
Backed Embedded	Backed Surface Mount	
		

# 35 Collection

landscapeforms®

## Product Data Sheet



### Mingle®

- Mingle tables are available with 2, 3, 4, 5 or 6 seats.
- Three-seat and five-seat styles are wheelchair accessible.
- Seats are available in backed or backless styles, and in perforated metal.
- Seat frames are made of aluminum castings and extrusions.
- All styles feature durable supports formed of steel tubing.
- Tables are compression-molded solid surface Marneaux™, Steelhead, or Catena styles.
- Some assembly required.
- Marneaux table tops are made from non-porous, man-made 100% acrylic resin solid surface material.
- Marneaux is available in six standard colors, and additional colors for an upcharge.
- Steelhead and Catena table tops are formed of heavy gauge steel with reinforced channels beneath.
- Catena features a rolled edge; Steelhead is framed by a 1-1/2" diameter metal tube and comes in a solid top.
- The Catena tabletop may be ordered in standard powdercoat colors, or stainless steel.
- Steelhead not available on 2-seat Mingle.
- All table tops are available with or without umbrella holes.
- Umbrella hole must specified when ordered and cannot be retrofitted on site.

### Mounting Options

- Two-seat and three seat styles must be surface mounted.
- Four, five and six seat styles may be freestanding with glides or surface mounted.
- All tables must be surface mounted when used with any umbrella.
- If surface mount is specified, table must be surface mounted for stability.

Note: Mingle base is shipped as a unit for ease of installation. Seats and table tops need to be attached to the support assembly on site.

### Finishes

- All metal is finished with Landscape Forms' proprietary Pangard II polyester powdercoat, a hard yet flexible finish that resists rusting, chipping, peeling and fading.
- Call for standard color chart.

### Recycled Content

- Mingle has a recycled material content of 68%, and is 100% recyclable."







Seat Panels			
	backless seat, perforated metal		backed seat, perforated metal

Table Tops	
42" in diameter and 29" high. Two seat version offers a 30" diameter tabletop.	
	Steelhead Solid
	Catena
	Catena Stainless Steel
	Marneaux™

# 35 Collection

landscapeforms®

## Product Data Sheet



### To Specify

1. Select Mingle table with backed or backless seats.
2. Select 2,3, 4, 5 or 6 seats.
3. Select table top: solid Steelhead,  
Catena in powdercoat or stainless steel, or Marneaux.
4. Specify with or without umbrella hole (may not be retrofitted).
5. Choose powdercoat color for metal parts or  
Marneaux color if applicable.
6. Specify freestanding with glides, or surface mount.  
Two-seat and three-seat styles must be surface mounted.  
See Shade mounting option for surface mount rules.

	Style	Diameter	Height	Weight
	2-seat backed	73"	33"	124 lb*
	3-seat backed	87"	33"	183 lb*
	4-seat backed	87"	33"	223 lb*
	5-seat backed	87"	33"	255 lb*
	6-seat backed	87"	33"	289 lb*

	Style	Diameter	Height	Weight
	2-seat backless	67"	29"	108 lb*
	3-seat backless	82"	29"	160 lb*
	4-seat backless	82"	29"	192 lb*
	5-seat backless	82"	29"	216 lb*
	6-seat backless	82"	29"	243 lb*

Mounting Options	
freestanding w/glides	surface mount

# 35 Collection

landscapeforms®

## Product Data Sheet



### Pitch™

- Pitch is offered in side or top opening styles. Bowl/funnel ash option available with side opening litter.
- These durable units feature a lift-off polyethylene top that allows easy access to the liner.
- Black polyethylene liner is made of 100% recycled material.
- All units can be installed freestanding or surface mounted.
- Heavy, stable cast iron base, coordinates with the perforated aluminum sides.
- Shipped fully assembled, with freestanding glides.

### Finishes

- All metal is finished with Landscape Forms' proprietary Panguard II polyester powdercoat, a hard yet flexible finish that resists rusting, chipping, peeling and fading.
- Call for standard color chart.
- Pitch lid is formed of rotationally-molded polyethylene, easy to lift and clean, and attached with a cable to the body.

### Recycled Content




- Pitch has a recycled material content of 52% and is 100% recyclable.

Note: Unit is emptied by lifting trash bag from top.

### To Specify

- Specify product name, model description and powdercoat color.
- Select rotationally molded polyethylene color for lid.
- Lid is not available in millstone.

Note: Unit is emptied by lifting trash bag from top.

	Style	Depth	Width	Height	Product Weight
	top-opening litter receptacle 32 gallon capacity	25"	25"	33"	175 lb
	side-opening litter receptacle 28 gallon capacity	25"	25"	35"	170 lb
	side-opening litter receptacle bowl/funnel option	25"	25"	35"	171 lb
18" square footprint					



# 35 Collection

landscapeforms®

## Product Data Sheet



### Chill™

- The Chill lounge is suitable for corporate, public and urban spaces.
- Its sculptural form echoes the human body.
- Constructed of rotationally molded polyethylene and has been impact tested at zero degrees Fahrenheit.
- Chill ships fully assembled.

### Mounting Options

- Chill lounge is shipped with removable surface mounting plates.
- The lounge may be surface mounted to hard surfaces, or placed freestanding on all surfaces.

### Material



- Rotationally molded polyethylene provides strong structure with integral color that stands up to heavy use and is easily cleaned.
- Molded to a wall thickness of 5/16", Chill has withstood testing under 300 pound dropped weights.

### Recycled Content

- Chill has a recycled material content of 1.1% or greater of which 0.6 % is post consumer and 0.5% is post industrial.
- Chill is 100% recyclable.

### To Specify

- Specify product name and standard solid polyethylene color.
- Chill is not available in Millstone.
- Custom colors available on minimum orders of 50 or more for an upcharge.
- Chill is shipped with removable surface mounting plates.
- The lounge may be surface mounted to hard surfaces, or placed freestanding.

	Style	Depth	Width	Height	Product Weight
	lounge	62"	28"	33"	60 lb
	surface mounting plate				

# 35 Collection

landscapeforms®

## Product Data Sheet



### Shade™

- Shade umbrella panels are perforated aluminum mounted in an extruded aluminum frame.
- Struts are extruded aluminum.
- Top cap, strut ring and end caps are aluminum castings.
- Surface mount stand is steel.
- Shade ships with panels assembled; pole is easily installed on site.

### Panel Mount

- Aluminum panels are mounted in a welded, extruded aluminum frame assembly.

### Surface Mount

- Stand includes two stainless steel bolts to hold the Shade pole in place and must be used when the Shade sun shade is not mounted to a Landscape Forms table.
- Anchoring hardware not included.

### Metal Finishes

- All metal is finished with Landscape Forms' proprietary Pangard II polyester powdercoat, a hard yet flexible finish that resists rusting, chipping, peeling and fading.
- Call for standard color chart.

### Mounting




- When used with a Landscape Forms table, Shade must be mounted to the table unit, which in turn must be mounted to a hard surface.
- If used with a table other than those offered by Landscape Forms, Shade must be anchored using our surface mount stand.
- Shade may also be used without a table, but must be secured in our surface mount stand.

### Recycled Content

- Shade aluminum has a recycled material content of 57% or greater, and is 100% recyclable.

### To Specify

- Specify product name, model description and powdercoat color.
- All tables used with Shade must be surface mounted.

	Style	Diameter		Product Weight
	umbrella	79"		112 lb
	umbrella with surface mount stand	79"		147 lb
	surface mount stand	14"diag.	26"h	40 lb
Pole: 1-1/2" diameter, Clearance under panels: 6'2"				

# 35 Collection

landscapeforms®

## Product Data Sheet



### Loop

- Loop bike rack is a simple, sweeping circle with a twist.
- Both functional and sculptural.
- Cyclists can loop and lock one or two bikes around its shape-shifting cast aluminum ribbon frame.
- The aluminum casting, finished with Pangard II® powdercoat, is offered in a selection of colors. Must be embedded to a concrete surface.
- Refer to install guide for spacing guidelines.
- Meets APBP guidelines.

### Metal Finishes

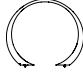
- All metal is finished with Pangard II®, offered exclusively by Landscape Forms, a 19-step program of cleaning, priming, and powder coating that resists rusting, chipping, peeling and fading to produce the finest metal finish available for site furniture. In addition, Pangard II® contains no heavy metals and is free of Hazardous Air Pollutants.
- Call for standard color chart.

### Recycled Content

- Loop has a recycled content of 97%, and is 100% recyclable.

### To Specify

- Specify collection name and product name.

	Style	Depth	Length	Height	Product Weight
	bike rack	14"	36"	31"	25 lb

# 35 Collection

landscapeforms®

## Product Data Sheet



### Guide

Please refer to the product data sheet for technical information and specifications.

[http://www.landscapeforms.com/en-US/Product Data/LF\\_35Guide\\_ProductData.pdf](http://www.landscapeforms.com/en-US/Product Data/LF_35Guide_ProductData.pdf)

### Signal

Please refer to the product data sheet for technical information and specifications.

[http://www.landscapeforms.com/en-US/Product Data/LF\\_35Signal\\_ProductData.pdf](http://www.landscapeforms.com/en-US/Product Data/LF_35Signal_ProductData.pdf)

*Designed by frog design*

[Click here](#) for patent information related to this product.

*Visit [landscapeforms.com](http://landscapeforms.com) for more information. Specifications are subject to change without notice. Landscape Forms supports the Landscape Architecture Foundation at the Second Century level. ©2024 Landscape Forms, Inc. Printed in U.S.A. All Rights Reserved.*

*[landscapeforms.com](http://landscapeforms.com) | [specify@landscapeforms.com](mailto:specify@landscapeforms.com)*