

Northport

landscapeforms

Specification Sheet | DR200/300 Series



Northport offers pedestrian-centric and roadway performance options within a beautifully crafted homage to the historical 'acorn' style. As a style so deeply rooted in the American streetscape, Northport subtly reveals the 'acorn' form within the negative space, dispensing with the drop lens and making a modern, efficient, dark sky compliant statement. Northport is available in a range of mounting styles including tenon, single and double luminaire arm mounts, in pendant and tenon-top styles.

The 200 series Northport utilizes Landscape Forms premier visual comfort light engine, which remains the industry benchmark for pedestrian centric spaces. Placemaking, and creating environments of safety, assurance and enjoyment are core to Landscape Forms design and engineering focus.

The 300 series serves environments beyond purely pedestrian – parking lots, streetscapes, transit, and other environments with a wide range of illumination requirements and visual experience expectations. This series includes selectable lumen packages (up to 8,000 lm+) a wide range of distribution types and lens options.

Northport is Buy America Compliant and International Dark-Sky Approved.

Housing & Materials

Cast aluminum construction. All hardware is magni-coated for optimum corrosion and 'anti-seize' protection. Assembly is IP66 rated.

Electrical

120V - 277V, 50/60Hz electronic driver(s). 0-10V dimming. -40°C start temperature. Surge protected. Available with optional ANSI C136.41 twist lock receptacle and/or pole-mounted photo/motion sensor. Northport luminaire ships prewired with center element having a separate circuit from main light engine.

Light Engine

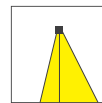
Factory sealed, vented and replaceable aluminum LED cartridge with UV stable, impact-resistant acrylic lens. Weatherproof, quick disconnects for weather resistance and ease of serviceability. High-power LEDs mounted to a RoHS compliant circuit board with PMMA optics. Available in 2700K, 3000K, 3500K and 4000K. >80 CRI across all available color temperatures. Luminaires meet or exceed TM21 L70: >60,000 hrs.

The visual comfort light engine featured in 200 series luminaires, brings to the forefront attributes of human-centric optical design in pedestrian centric spaces. It reduces high angle glare and contrast ratio, eliminates 'lens image' of LEDs, and offers a choice of distributions for a first-class visual experience for pedestrians.

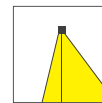
The high output light engine featured in the 300 series delivers up to 8400 lumens through a wide selection of roadway distribution types.

Capable of meeting footcandle minimum and uniformity requirements at taller pole heights and wider spacing, the 300 series addresses lighting needs in vehicular and other environments where design criteria include non-pedestrian needs.

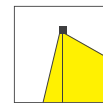
Distributions



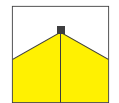
TII



TIII



TIV



TV

Warranty

LED lighting products are warranted for six years.

Certification

UL Listed for Wet Location, CE, International Dark Sky Approved, Buy America Compliant, RoHS Compliant, cUL



Designed by Robert A.M. Stern Architects

[Click here](#) for patent information related to this product.

Specification Sheet | DR200/300 Series

Specification

Luminaire #1 _____

Luminaire #2 _____

(If Applicable)

Pole _____

(May include arms, base covers, GFCI, NEMA7 Socket, etc.)

Luminaire and Mounting Configuration - 200 Series

(Luminaire with Visual Comfort Light Engine)

Product	Drive Current	Color Temperature	Distribution	Lens	Center Element	Twist Lock	Powdercoat
DR201 (Single Post-Top)	SO (Standard Output)	27K (2700K)		FRS (Frosted)	20K (2000K)	NTW (No Twist Lock)	See powdercoat color options on the Material / Colors Sheet.
DR202 (1) Luminaire Below Arm		30K (3000K)					
DR203 (2) Luminaires Below Double Arms		35K (3500K)	T5 (Type V)				
DR204 (1) Luminaire Above Arm		40K (4000K)					
DR205 (2) Luminaires Above Double Arms							

Example: DR201- SO - 27K - T3 - FRS - 20K - NTW - Powdercoat

* For Dark Sky certification, 3000k or warmer must be selected

Luminaire and Mounting Configuration - 300 Series

(Luminaire with Performance Light Engine)

Product	LED Configuration	Drive Current	Color Temperature	Distribution	Lens	Center Element	Twist Lock	Powdercoat	
DR301 Single Post-Top	18 18 LEDs	SO (Standard Output)	27K (2700K)	T2 (Type II)	CLR (Clear)	20K (2000K)	NTW (No Twist Lock)	See powdercoat color options on the Material / Colors Sheet.	
DR302 (1) Luminaire Below Arm			30K (3000K)	T3 (Type III)					
DR303 (2) Luminaires Below Double Arms		36 36 LEDs	HO (High Output)	35K (3500K)					T4 (Type IV)
DR304 (1) Luminaire Above Arm		FRS (Frosted)		T5 (Type V)					TW1 (Twist Lock)
DR305 (2) Luminaires Above Double Arms									

Example: DR304-18-SO-27K-T3--FRS-20K-TW1-Powdercoat

*For Dark Sky certification, 3000k or warmer must be selected

Pole and Luminaire Configuration

Part Number	Base Cover Option	Power Receptacle	Photo / Motion Sensor	Powdercoat	Lens Height	Pole Height	Pole Diameter
DR-12-A (Single Post-Top)					12 ft (3.7m)	9.4 ft (2.9m)	4" (102mm)
DR-14-A (Single Post-Top)					14 ft (4.3m)	11.4 ft (3.5m)	4" (102mm)
DR-16-A (Single Post-Top)					16 ft (4.9m)	13.4 ft (4.1m)	4" (102mm)
DR-12-B (1) or (2) Luminaire(s) Below Mount Arm					12 ft (3.7m)	13.5 ft (4.1m)	5" (127mm)
DR-14-B (1) or (2) Luminaire(s) Below Mount Arm					14 ft (4.3m)	15.5 ft (4.7m)	5" (127mm)
DR-16-B (1) or (2) Luminaire(s) Below Mount Arm	NUT (Nut Covers)	NR (No Power Receptacle)	NMS (No Motion Sensor)	See powdercoat color options on the Material / Colors Sheet.	16 ft (4.9m)	17.5 ft (5.3m)	5" (127mm)
DR-16-SB (Staggered Luminaires Below Mount Arm)	BC (Base Cover)	R (Power Receptacle)	MS1 (With Motion Sensor)		16 ft (4.9m) / 12 ft (3.7m)	17.5 ft (5.3m)	5" (127mm)
DR-12-C (1) or (2) Luminaire(s) Above Mount Arm					12 ft (3.7m)	10 ft (3m)	5" (127mm)
DR-14-C (1) or (2) Luminaire(s) Above Mount Arm					14 ft (4.3m)	12.1 ft (3.7m)	5" (127mm)
DR-16-C (1) or (2) ies Above Mount Arm					16 ft (4.9m)	14.1 ft (4.3m)	5" (127mm)
DR-16-BC (Staggered Luminarie(s) Below Mount Arm)					16 ft (4.9m) / 12 ft (3.7m)	14.1 ft (4.3m)	5" (127mm)
DR-16-SC (Staggered Luminaries Above Mount Arm)					16 ft (4.9m) / 12 ft (3.7m)	14.1 ft (4.3m)	5" (127mm)

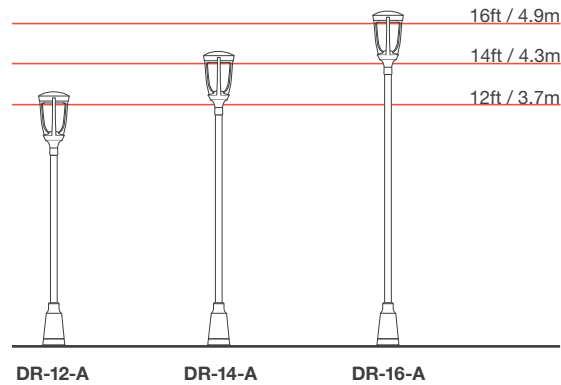
Example: DR-16-A-TW1-BC-R-NMS-Powdercoat

Modifications

Part Number	Modification	Description
CAM	Camera	
SPE	Speaker	
WAP	WiFi Access Point	
BAN	Banner Arms	
VIB	Vibration Dampener	
CPH	Custom Pole Height	
CLH	Custom Lens Height	
CPC	Custom Powdercoat Color	
--	Other	

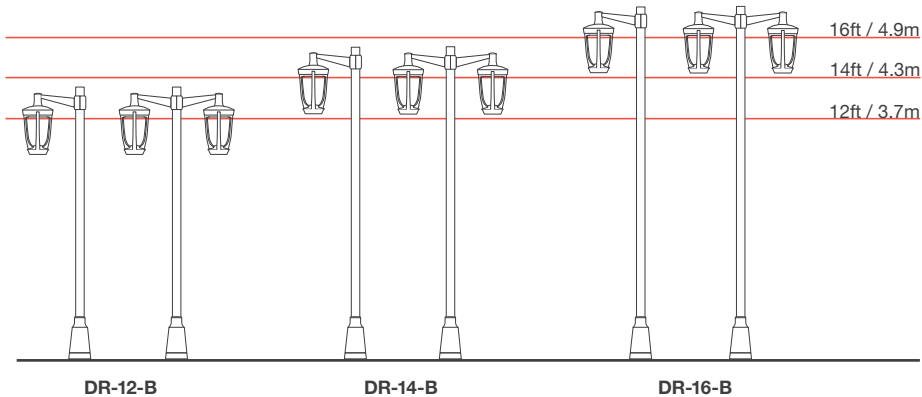
Modifications listed are the most common changes/additions requested. If your requirements aren't shown here, select 'other' and write in the modification needed. Please provide as much detail as possible to streamline the quoting process. All modifications to standard products will require evaluation and quoting approved by Landscape Forms prior to order placement.

Lens Height and Pole Configuration Selection Guide



Compatible Luminaries

200 Series	300 Series
DR201	DR301

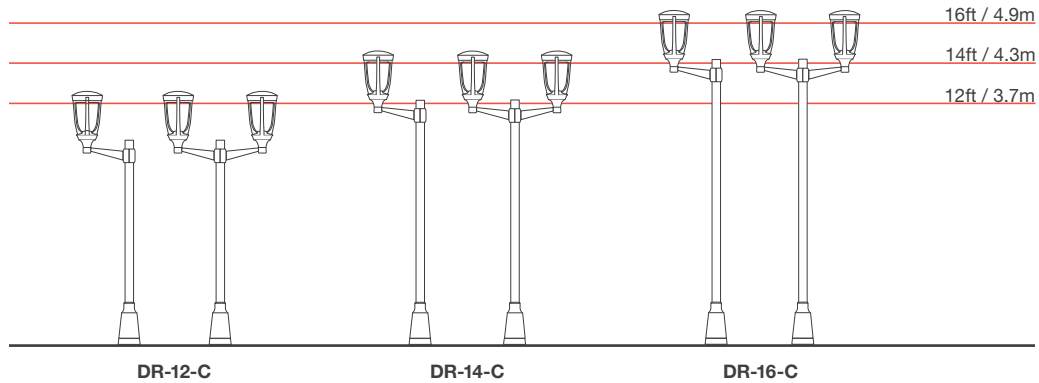


Compatible Luminaries

	200 Series	300 Series
Single	DR202	DR302
Back to back	DR203	DR303

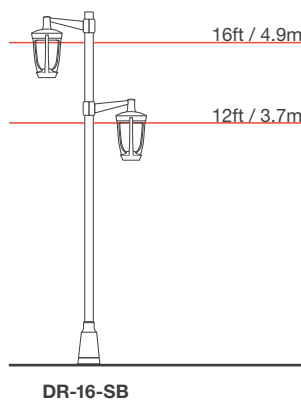
See customer drawings for luminaire mounting height details.

Lens Height and Pole Configuration Selection Guide



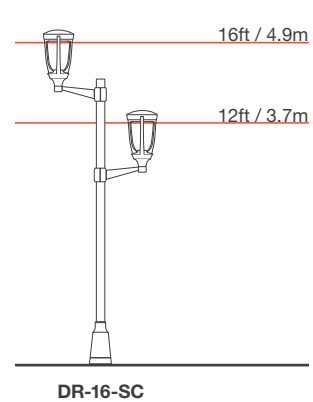
Compatible Luminaires

	200 Series	300 Series
Single	DR204	DR304
Back to back	DR205	DR305



Compatible Luminaires

200 Series	300 Series
DR202	DR302



Compatible Luminaires

200 Series	300 Series
DR204	DR304

See customer drawings for luminaire mounting height details.

Northport

landscapeforms

Specification Sheet | DR200/300 Series

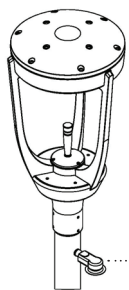
Pole & Base Cover

Manufactured from seamless aluminum alloy with a flush mounted hand hole cover. Base plate is cast aluminum and includes a two-piece cast aluminum decorative base cover, or four cast aluminum nut covers. Mounting template and anchor hardware included. Anchor bolts conform to ASTM F1554 Grade 55 and are provided with two hex nuts and two flat washers. Bolts have an "L" bend on one end and are galvanized a minimum of 12" on the threaded end. Single post-top pole includes a standard dimension 2-3/8" dia x 4" tenon. Poles designed to support arm mounted configurations include a standard 5" diameter pole, flush top with pole cap and configurable with ancillary devices, such as an ANSI C136.41 twist-lock receptacle.

Mounting

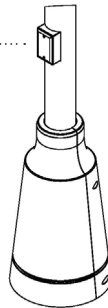
Single post-top is secured to a 2 3/8" x 4" tenon on top of pole via six (6) magni-coated set screws. Arm mounts secured to pole via compression clamp using 4 magni-coated bolts.

Pole Accessories

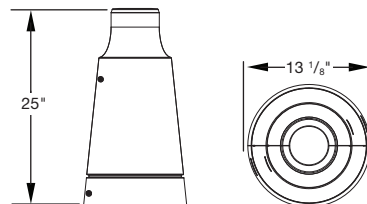


PIR Photo/motion Sensor
Placement approx 3' below lens height and 180° from handhole

GFCI Outlet with In-use Cover
Placement approx 3' above grade and 180° from handhole



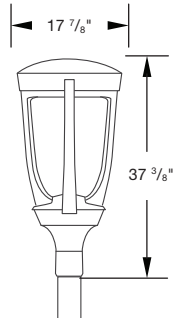
Base Cover



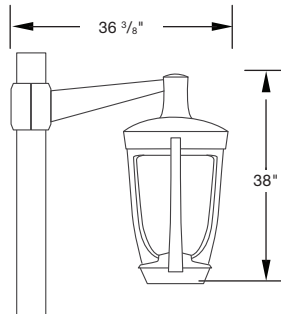
Northport

Specification Sheet | DR200/300 Series

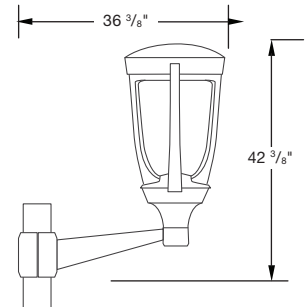
200 & 300 Series Luminaire Dimensions, Weights and EPA's



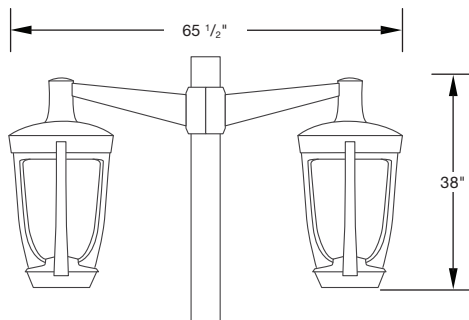
DR201/DR301
Weight: 63 lbs
EPA: 2.79 ft²



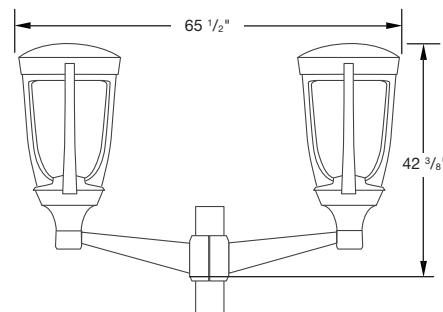
DR202/DR302
Weight: 125 lbs
EPA: 3.63 ft²



DR204/DR304
Weight: 125 lbs
EPA: 3.63 ft²



DR203/DR303
Weight: 226 lbs
EPA: 7.13 ft²



DR205/DR305
Weight: 226 lbs
EPA: 7.13 ft²

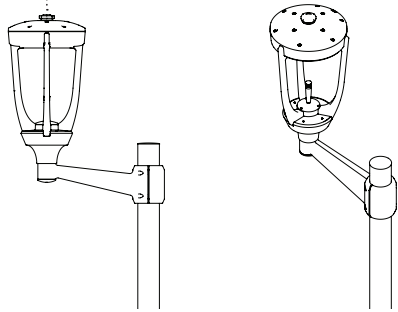
Northport

landscapeforms

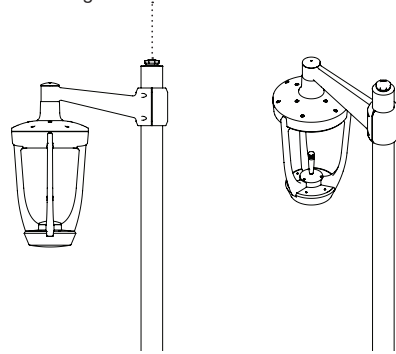
Specification Sheet | DR200/300 Series

Twist Lock Receptacle Placement

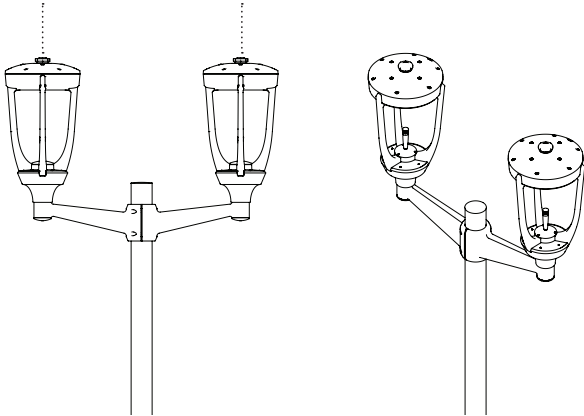
Twist Lock Location Single Arm Above Mount Luminaire



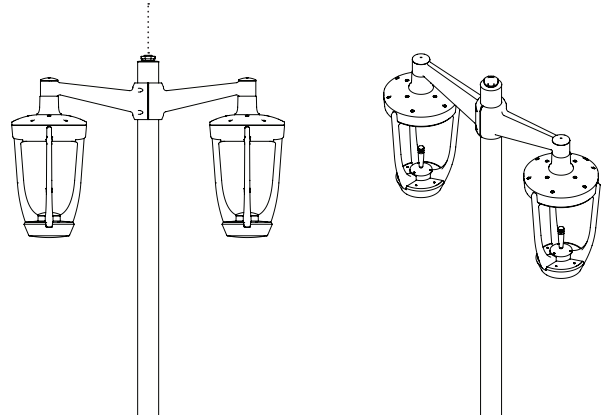
Twist Lock Location Single Arm Below Mount Luminaire



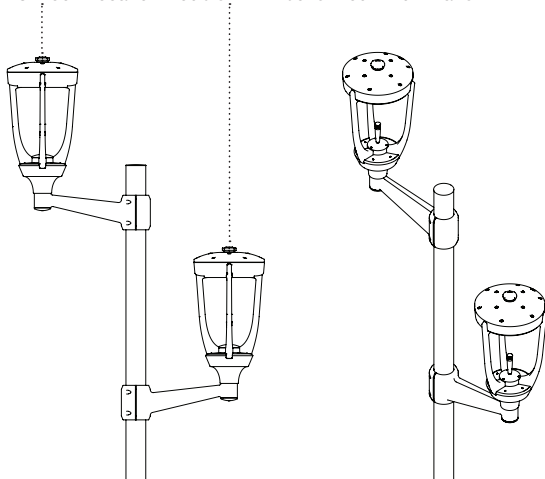
Dual Twist Lock Location Double Arm Above Mount Luminaires



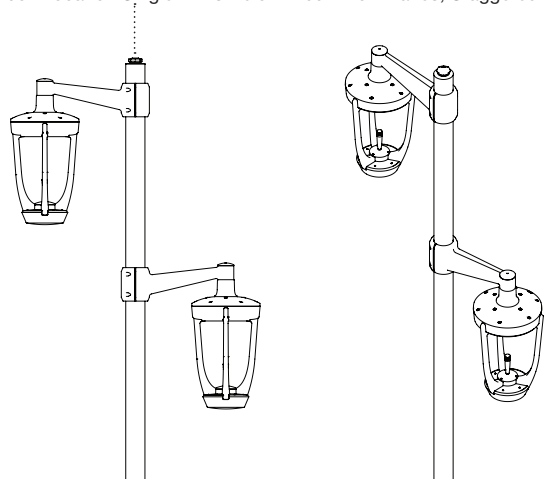
Twist Lock Location Double Arm Below Mount Luminaires



Dual Twist Lock Location Double Arm Above Mount Luminaire



Twist Lock Location Single Arms Below Mount Luminaires, Staggered



Specification Sheet | DR200/300 Series

200 Series Luminaire Performance Data

Visual Comfort Light Engine @ 3500K

Drive Current	Lens	Distribution	Lumen Output*	Watts	BUG Rating
SO	FRS	T3	2268	43	B1-U2-G1
SO	FRS	T5	4474	82	B2-U2-G2

300 Series Luminaire Performance

Performance Light Engine @ 3500K

LED Quantity	Drive Current	Lens	Distribution	Lumen Output*	Watts	BUG Rating
18	SO	CLR	T2	2786	31.4	B1-U2-G1
			T3	2826	31.4	B1-U1-G1
			T4	2782	31.4	B1-U2-G1
		FRS	T5	3052	34.5	B1-U2-G1
			T2	2514	31.4	B1-U2-G1
			T3	2430	31.4	B1-U2-G1
	HO	CLR	T4	2475	31.4	B1-U1-G1
			T5	2758	34.5	B1-U1-G1
			T2	4184	53.9	B1-U2-G1
		FRS	T3	4244	53.9	B1-U1-G1
			T4	4176	53.9	B1-U2-G1
			T5	4430	53.9	B2-U2-G2
36	SO	CLR	T2	3775	53.9	B1-U2-G1
			T3	3799	53.9	B1-U2-G1
			T4	3717	53.9	B1-U2-G1
			T5	4020	53.9	B2-U2-G1
		FRS	T2	5398	60.9	B2-U2-G2
			T3	5476	60.9	B1-U2-G1
			T4	5389	60.9	B2-U2-G2
	HO	CLR	T5	5886	66.9	B2-U2-G2
			T2	4871	60.9	B1-U2-G1
			T3	4901	60.9	B1-U2-G1
			T4	4796	60.9	B2-U2-G1
		FRS	T5	5320	66.9	B2-U2-G2
			T2	7977	97.3	B2-U2-G2
			T3	8092	97.3	B2-U2-G2
HO	CLR	T4	7964	97.3	B2-U2-G2	
		T5	8330	103.3	B3-U2-G3	
		T2	7199	97.3	B2-U2-G1	
		T3	7244	97.3	B2-U2-G1	
	FRS	T4	7087	97.3	B2-U2-G2	
		T5	7529	103.3	B2-U2-G2	

This data is subject to change.

* Apply 0.9 multiplier for 2700K, 0.96 for 3000K, and 1.007 for 4000K color temperatures.

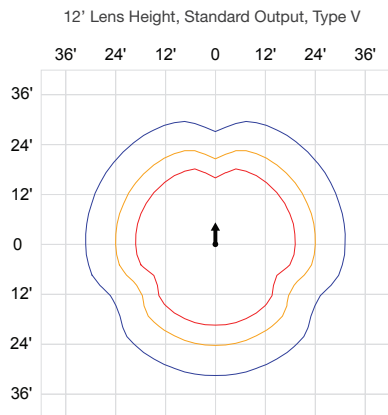
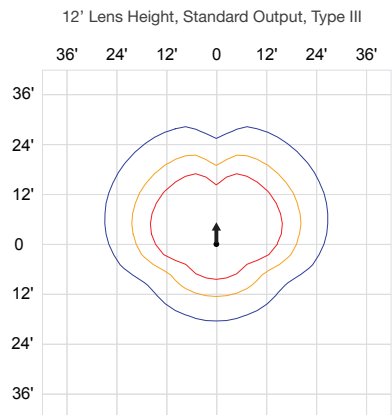
Northport

Specification Sheet | DR200/300 Series

200 Series at 12'

Visual comfort light engine @ 3000K

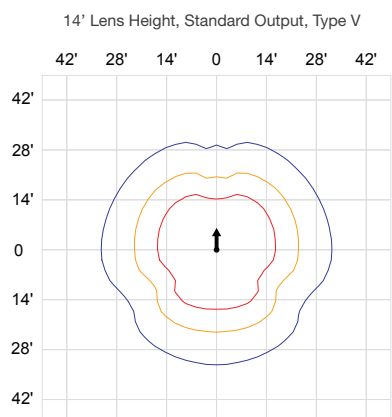
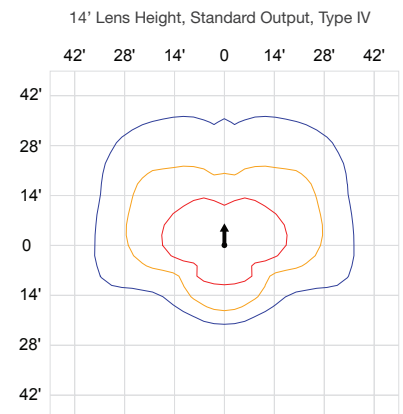
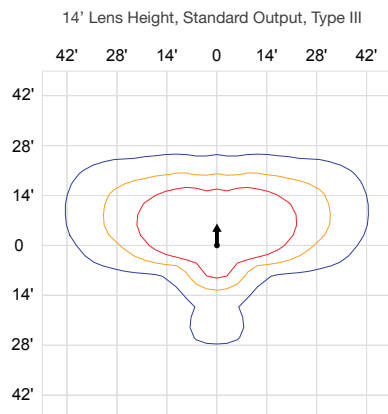
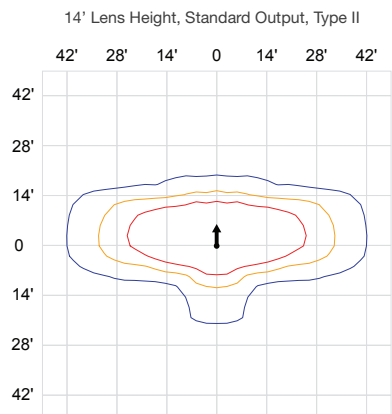
1.0fc 0.5fc 0.2fc



300 Series – 18 LED SO at 14'

Performance light engine @ 3000K

1.0fc 0.5fc 0.2fc



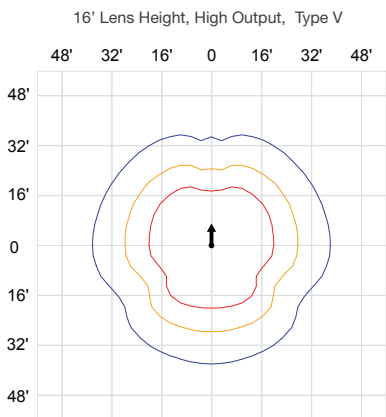
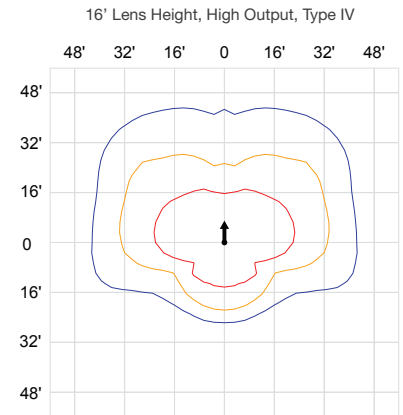
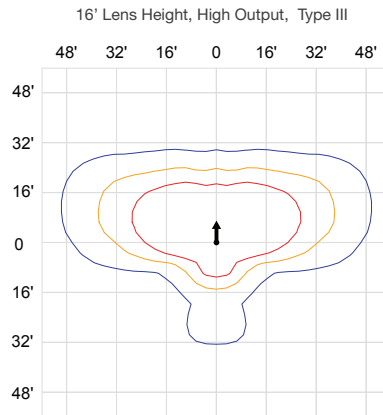
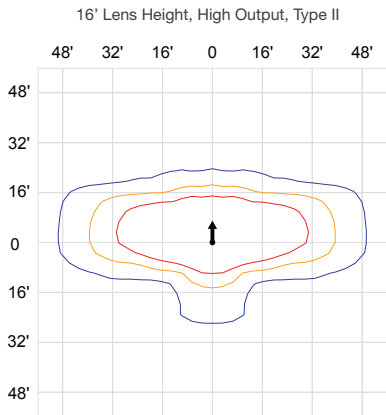
Northport

Specification Sheet | DR200/300 Series

300 Series – 18 LED HO at 16'

Performance light engine @ 3000K

1.0fc 0.5fc 0.2fc



Northport



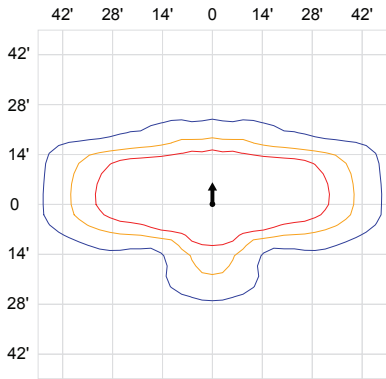
Specification Sheet | DR200/300 Series

300 Series – 36 LED SO at 14'

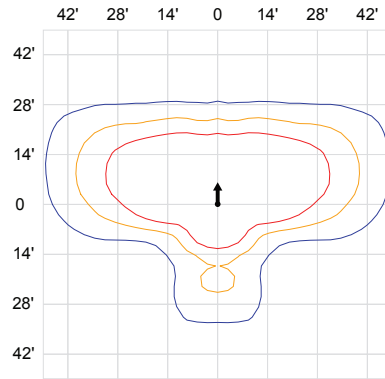
Performance light engine @ 3000K

1.0fc 0.5fc 0.2fc

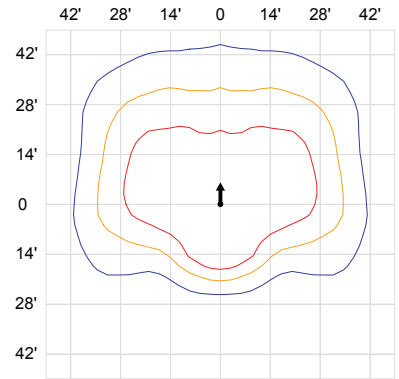
14' Lens Height, Standard Output, Type II



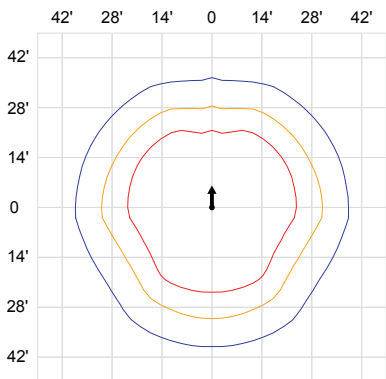
14' Lens Height, Standard Output, Type III



14' Lens Height, Standard Output, Type IV



14' Lens Height, Standard Output, Type V



Northport

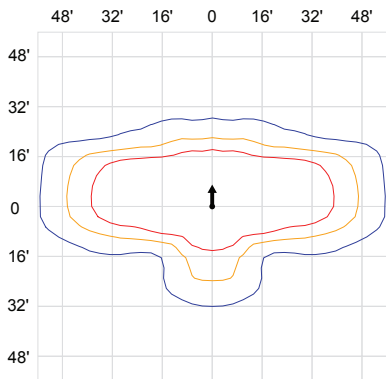
Specification Sheet | DR200/300 Series

300 Series – 36 LED HO at 16'

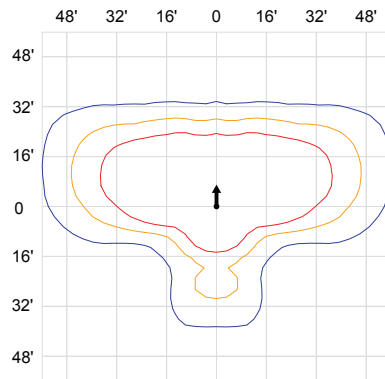
Performance light engine @ 3000K

1.0fc 0.5fc 0.2fc

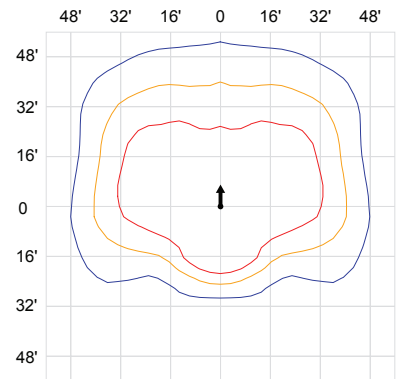
14' Lens Height, High Output, Type II



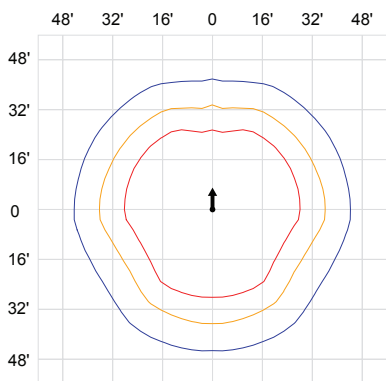
14' Lens Height, High Output, Type III



14' Lens Height, High Output, Type IV



14' Lens Height, High Output, Type V



Specification Sheet | DR200/300 Series

Architectural Series - Powdercoated Metal* (Fine Texture)



Neutral Series - Powdercoated Metal*



Vivid Series - Powdercoated Metal* (Fine Texture)



Northport

landscapeforms

Specification Sheet | DR200/300 Series

Powdercoated Metal

Powdercoated Metal Pangard II® Polyester Powdercoat is a hard, yet flexible, finish that resists rusting, chipping, peeling and fading. In addition to colors shown, a wide selection of optional and custom colors may be specified for an upcharge.

* All colors and patterns shown are approximate and may vary from sample and final.

Visit landscapeforms.com for more information.

Specifications are subject to change without notice.

©2024 Landscape Forms, Inc. Printed in U.S.A.

landscapeforms.com | specify@landscapeforms.com