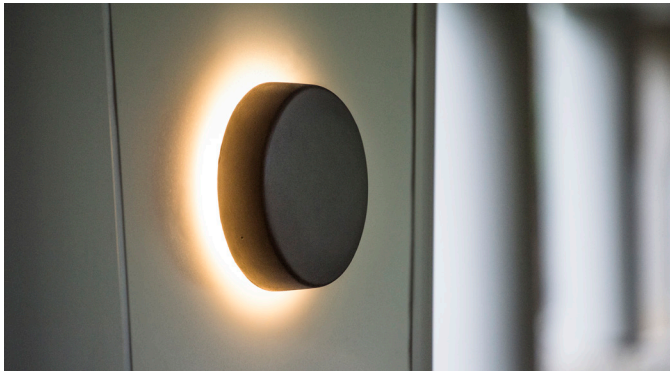


# Motive Wall Mount Light

landscapeforms®

Spec Sheet | AJ200



Motive is a sophisticated family of lights that blurs the line between indoor and outdoor lighting to create out-of-the-ordinary settings. Designed by Justin Champaign, Motive celebrates the beauty of illumination and its interaction with architecture, objects, and space. The luminaires' neutral sculptural form address an array of applications for buildings and grounds, pathways, social spaces, and high-profile areas such as art installations and entrances.

## Housing & Materials

A UV stable, impact modified diffused acrylic lens seals to the cast aluminum round luminaire housing. Luminaire mounts to standard junction box (by others) with included wall mount plate and gasket. The luminaire's cast lid is secured with three socket head set screws. All hardware is magni-coated.

## Electrical

Internally mounted surge protected 120V through 277V 50/60Hz electronic driver. -40°C start temperature., leading edge and trailing edge phase-cut dimmable. Motive path light ships prewired.

## Light Engine

Cast aluminum light cartridge features high powered LEDs mounted to a RoHS compliant circuit board delivering indirect lighting. Motive Wall Mount Light can be configured with a short Type V (Lambertian) distribution. The replaceable cartridge provides ease of installation and serviceability. Available in 2700K, 3000K, 3500K, and 4000K. >80 CRI across all available color temperatures.

## Distribution



Lambertian

## Warranty

LED lighting products are warranted for six years.

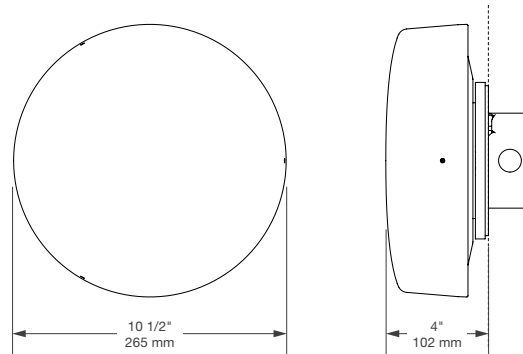
## Certification

UL Listed for Wet Location, CE, Buy America Compliant, RoHS Compliant



*Designed by Justin Champaign*

[Click here](#) for patent information related to this product.



Weight: 7 lbs

TM21 L70(10k): 60,000 hrs  
Protection Class: IP66

# Motive Wall Mount Light

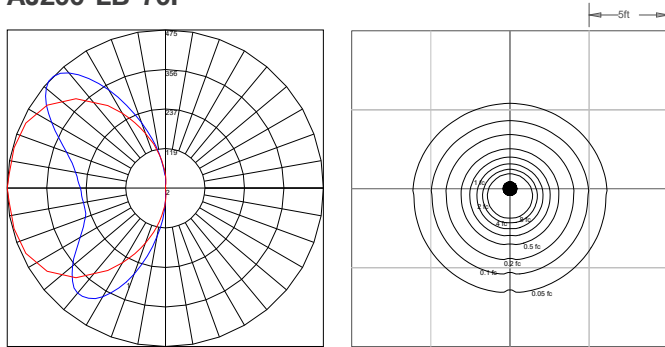


Spec Sheet | AJ200

Model	Distribution Type	Drive Current	Delivered Lumens	System Wattage	BUG Rating
AJ200-LB-70F	Lambertian	700mA	1795	18.4	N/A

This data is subject to change.

## AJ200-LB-70F



Maximum Candela=474.6  
 Located at Horizontal Angle=180,  
 Vertical Angle=132.5

## Luminaire

Product	Color Temperature	Input Voltage
AJ200 ( Wall Mount Light )	27K ( 2700K )	UV1 ( 100V-277V, 50/60 Hz )
	30K ( 3000K )	
	35K ( 3500K )	
	40K ( 4000K )	

Example: AJ200 – 27K – UV1 – Powdercoat

## Notes:

---



---



---



---



---

# Motive Wall Mount Light

landscapeforms®

Material / Colors Sheet | AJ200

## Vivid Series - Powdercoated Metal\* (Fine Texture)



## Neutral Series - Powdercoated Metal\*



## Architectural Series - Powdercoated Metal\* (Fine Texture)



# Motive Wall Mount Light

landscapeforms®

Material / Colors Sheet | AJ200

## Powdercoated Metal

Powdercoated Metal Pangard II® Polyester Powdercoat is a hard, yet flexible, finish that resists rusting, chipping, peeling and fading. In addition to colors shown, a wide selection of optional and custom colors may be specified for an upcharge.

\* All colors and patterns shown are approximate and may vary from sample and final.

*Visit [landscapeforms.com](https://landscapeforms.com) for more information. Specifications are subject to change without notice. Landscape Forms supports the Landscape Architecture Foundation at the Second Century level. ©2023 Landscape Forms, Inc.*

*[landscapeforms.com](https://landscapeforms.com) | [specify@landscapeforms.com](mailto:specify@landscapeforms.com)*