

Motive Path Light

landscapeforms®

Spec Sheet | AJ100



Motive is a sophisticated family of lights that blurs the line between indoor and outdoor lighting to create out-of-the-ordinary settings. Designed by Justin Champaign, Motive celebrates the beauty of illumination and its interaction with architecture, objects, and space. The luminaires' neutral sculptural form address an array of applications for buildings and grounds, pathways, social spaces, and high-profile areas such as art installations and entrances.

Housing & Materials

A UV stable, impact modified diffused acrylic lens seals to the cast aluminum round luminaire housing. Luminaire mounts via a cast aluminum hub bolted directly to the top of cast aluminum pole. The luminaire's cast lid is secured with three socket head set screws. All hardware is magni-coated.

Electrical

Internally mounted surge protected 120V through 277V 50/60Hz electronic driver. -40°C start temperature., leading edge and trailing edge phase-cut dimmable. Motive path light ships prewired.

Light Engine

Cast aluminum light cartridge features high powered LEDs mounted to a RoHS compliant circuit board delivering indirect lighting in conjunction with semi-specular aluminum reflector. Motive Path Light can be configured with a Type IV or Type V distribution. The replaceable cartridge provides ease of installation and serviceability. Available in 2700K, 3000K, 3500K, and 4000K. >80 CRI across all available color temperatures.

Distributions



TIV



TV

Warranty

LED lighting products are warranted for six years.

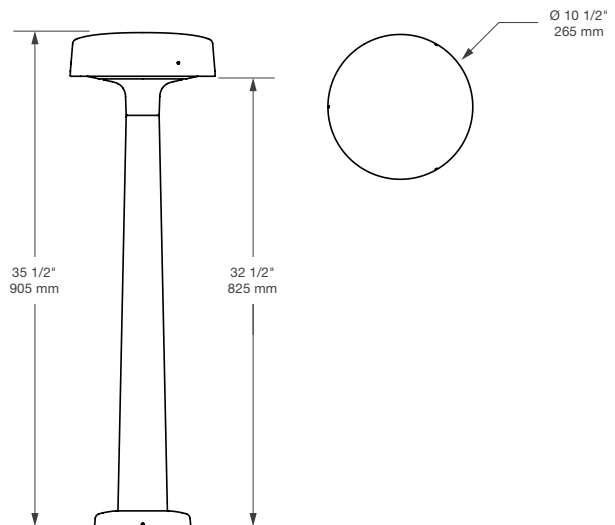
Certification

UL Listed for Wet Location, CE, International Dark Sky Approved, Buy America Compliant, RoHS Compliant



Designed by Justin Champaign

[Click here](#) for patent information related to this product.



Weight: 16 lbs

TM21 L70(10k): 60,000 hrs

Protection Class: IP66

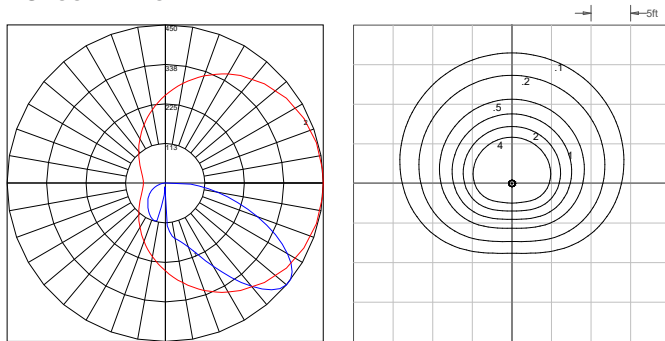
Motive Path Light

Spec Sheet | AJ100

Model	Distribution Type	Drive Current	Delivered Lumens	System Wattage	Bug Rating
AJ100-T4-40F	Type IV	400mA	1023	10.9	B0-U0-G1
AJ100-T5-40F	Type V	400mA	1011	10.3	B1-U0-G1

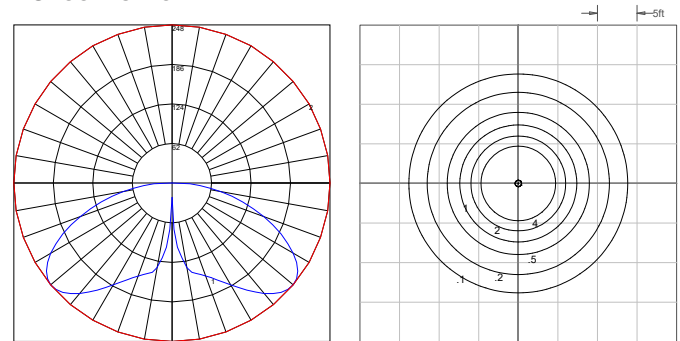
This data is subject to change.

AJ100-T4-40F



Maximum Candela=450.4
Located at Horizontal Angle=0,
Vertical Angle=50

AJ100-T5-40F



Maximum Candela=247.5
Located at Horizontal Angle=0,
Vertical Angle=50

Luminaire

Product	Distribution & Drive Current	Color Temperature *	Input Voltage
AJ100 (Motive Path Light)	T4 (Type IV)	27K (2700K)	UV1 (100V-277V, 50/60 Hz)
	T5 (Type V)	30K (3000K)	
		35K (3500K)	
		40K (4000K)	

Example: AJ100 – T4 – 27K – UV1 – Powdercoat

* For Dark Sky certification, 3000k or warmer must be selected.

Notes:

Motive Path Light

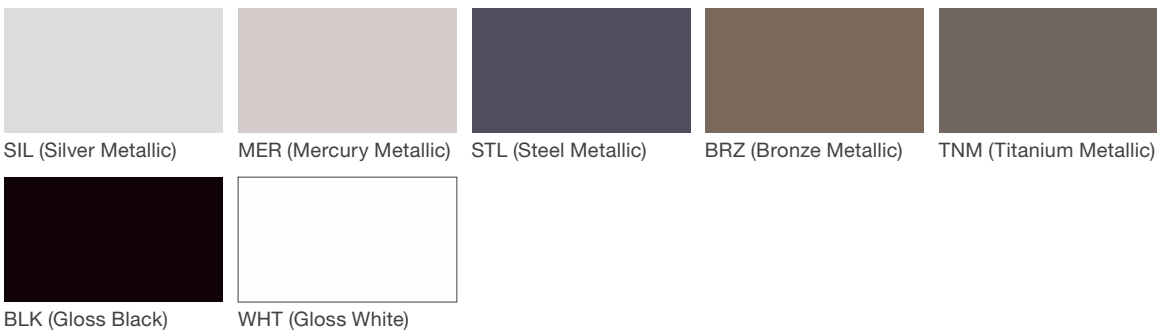
landscapeforms®

Material / Colors Sheet | AJ100

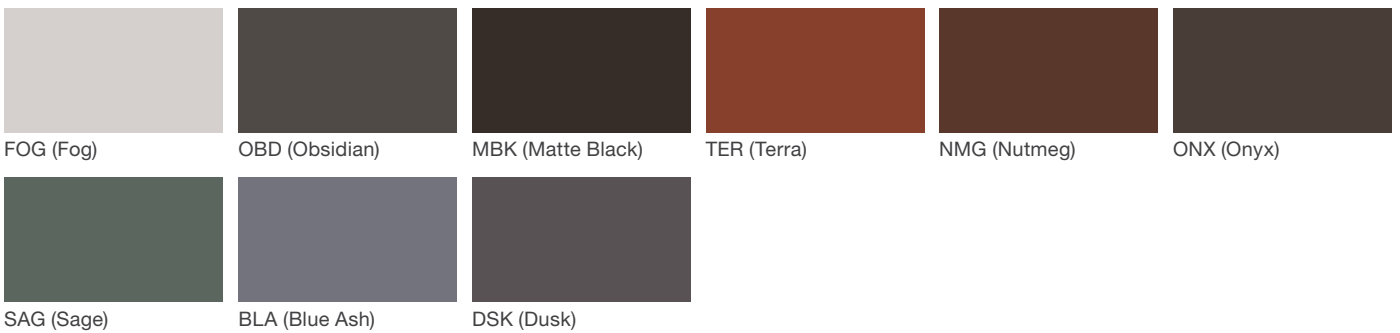
Vivid Series - Powdercoated Metal* (Fine Texture)



Neutral Series - Powdercoated Metal*



Architectural Series - Powdercoated Metal* (Fine Texture)



Motive Path Light

landscapeforms®

Material / Colors Sheet | AJ100

Powdercoated Metal

Powdercoated Metal Pangard II® Polyester Powdercoat is a hard, yet flexible, finish that resists rusting, chipping, peeling and fading. In addition to colors shown, a wide selection of optional and custom colors may be specified for an upcharge.

* All colors and patterns shown are approximate and may vary from sample and final.

Visit landscapeforms.com for more information. Specifications are subject to change without notice. Landscape Forms supports the Landscape Architecture Foundation at the Second Century level. ©2023 Landscape Forms, Inc.

landscapeforms.com | specify@landscapeforms.com