

Candela Area Light

landscapeforms®

Product Data Sheet | CLF



Candela, designed by Gonzalo Milà in 2011, brings high design to LED lighting for the urban streetscape. Minimal in form, the oval-shaped luminaire is slim and sleek ideal for streetscape settings. Max in function, Candela offers high output and reach with arrays of up to 96 energy efficient LEDs, poles ranging in height from 26 to 32 feet tall, and arms in three lengths. Available in single, dual and staggered configurations along the pole to achieve light levels tailored to the site.

General Description

- Offered in 2 standard pole heights (8.0m, 10.0m)
- Available in 48, 72 and 96 LED configurations
- Multiple drive currents and distribution types
- Mounting template and anchor hardware included
- Zero up-light, International Dark-Sky approved
- UL Listed, suitable for wet locations

Electrical

120V-277V 50/60 Hz, Class 2 integrated dimmable driver. 1-10V dimming interface is standard, DALI compatible dimming interface available upon request. Candela ships prewired and fully assembled. Reference the installation guide for the wiring diagram and other electrical support information.

Housing

Luminaire housing is die-cast aluminum and opens with a single latch. The glass lens seals to the housing. Luminaire and the extruded aluminum arm mount to the pole using a die-cast aluminum clamp which is secured with four bolts.

Candela

Housing: Aluminum injection

Lens: Clear tempered glass

Light Source: 48/72/96 Cree XPG2 LEDs

Color Temperature: 3000K, 4000K

Power Supply: 120V-277V

Dimming: 1-10V (DALI available upon request)

Protection Class: IP66

Weight: 33 lbs (luminaire only)

Distributions



TII

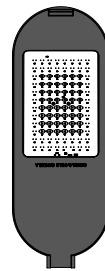


TIII

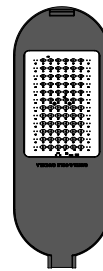


TIV

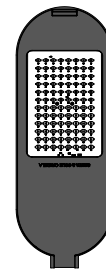
LED Configurations



48 LED

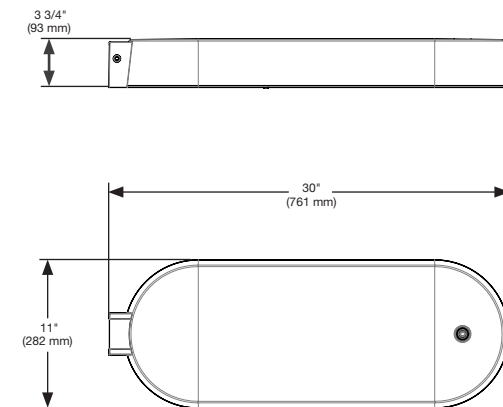


72 LED



96 LED

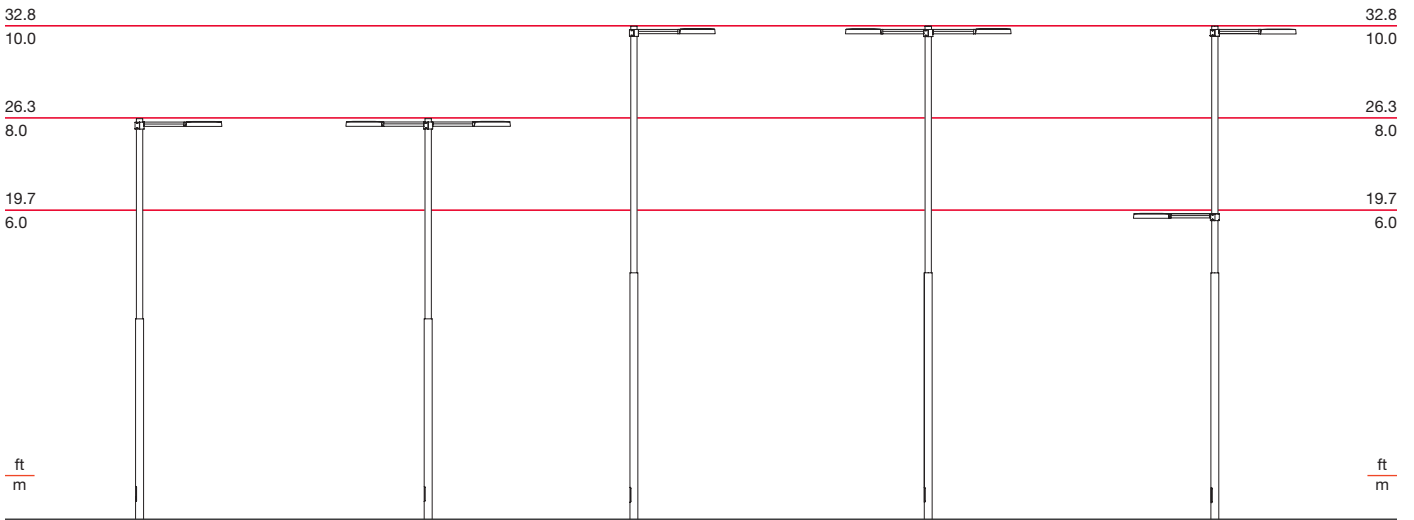
Dimensions



Candela Area Light

landscapeforms®

Product Data Sheet | CLF



Pole Description

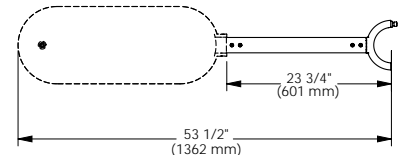
Stepped round pole is manufactured from 6063 aluminum extrusion and heat treated to produce a T6 temper. 8m (26.25 ft) pole steps from 7" to 5" diameter, and has a wall thickness of 0.188". 10m (32.75 ft) pole steps from 8" to 5" in diameter and has a wall thickness of 0.250" wall. Flush mounted hand hole cover includes two magni-coated fasteners. Base options include 4 cast aluminum nut covers. Optional 7-pin twist lock receptacle mounts to pole cap at top of pole.

Mounting Offerings

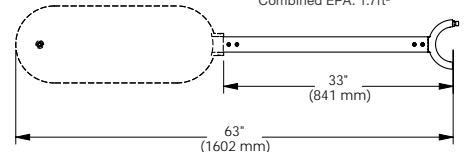
The mounting arm is extruded aluminum and mounts to the Candela luminaire using mechanical fasteners. It pairs with the cast aluminum compression clamp (CLF06) which secures the mounting arm for single mount configurations. Mounting arms attach directly back-to-back for double mounting configurations. All mounting configurations are designed to mount to 5" diameter section of pole and secured with mechanical fasteners.



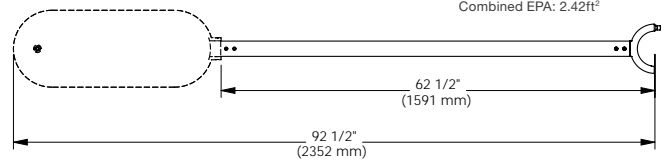
Back Clamp CLF06
Weight: 2 lbs



Short Arm CLF03
Arm Weight: 7 lbs
Luminaire + Arm Weight: 7 lbs
Combined EPA: 1.7ft²



Medium Arm CLF04
Arm Weight: 8.5 lbs
Luminaire + Arm Weight: 41.5 lbs
Combined EPA: 2.42ft²



Long Arm CLF05
Arm Weight: 14 lbs
Luminaire + Arm Weight: 47 lbs
Combined EPA: 3.7ft²

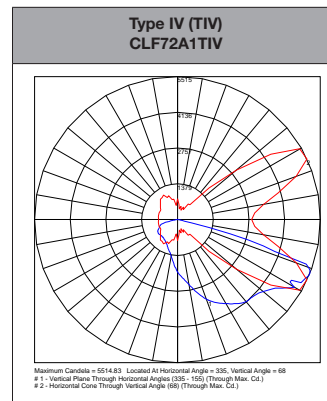
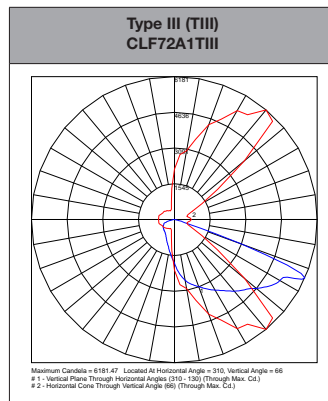
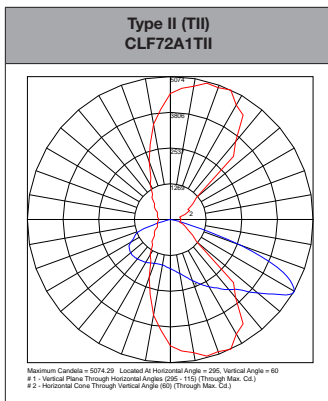
Candela Area Light

landscapeforms®

Product Data Sheet | CLF



Model	System Power	LED Quantity	CCT	Drive Current	Type II (TII)			Type III (TIII)			Type IV (TIV)		
					Lumens*	Efficacy*	Bug Rating	Lumens*	Efficacy*	Bug Rating	Lumens*	Efficacy*	Bug Rating
CLF48A1xx	50	48	3000K 80 CRI	350	5872	107	B2-U0-G2	6806	124	B1-U0-G1	6323	115	B1-U0-G1
CLF48B1xx	78			500	8084	104	B2-U0-G2	9369	120	B1-U0-G1	8704	112	B2-U0-G1
CLF48A2xx	50		4000K 70 CRI	350	6265	114	B2-U0-G2	7261	132	B1-U0-G2	6746	123	B2-U0-G2
CLF48B2xx	78			500	8648	111	B2-U0-G2	10023	128	B1-U0-G2	9311	119	B2-U0-G2
CLF72A1xx	75	72	3000K 80 CRI	350	8775	113	B2-U0-G2	10170	130	B2-U0-G2	9448	121	B2-U0-G2
CLF72B1xx	112			500	12063	108	B2-U0-G2	13979	125	B2-U0-G2	12987	116	B2-U0-G2
CLF72A2xx	75		4000K 70 CRI	350	9363	120	B3-U0-G3	10850	139	B2-U0-G2	10080	129	B2-U0-G2
CLF72B2xx	112			500	12905	115	B3-U0-G3	14955	134	B2-U0-G2	13894	124	B3-U0-G3
CLF96A1xx	100	96	3000K 80 CRI	350	11414	110	B2-U0-G2	13228	127	B2-U0-G2	12289	118	B2-U0-G2
CLF96B1xx	153			500	15788	105	B3-U0-G3	18296	122	B2-U0-G2	16998	113	B2-U0-G2
CLF96A2xx	100		4000K 70 CRI	350	12178	117	B3-U0-G3	14114	136	B2-U0-G2	13112	126	B3-U0-G3
CLF96B2xx	153			500	16890	113	B3-U0-G3	19574	130	B2-U0-G2	18184	121	B3-U0-G3



Candela Area Light

landscapeforms®

Product Data Sheet | CLF



Finish

The Candela luminaire is aluminum extrusion with a natural aluminum powdercoat finish offered by Urbidermis. The Pangard II® powdercoat finish on poles is offered exclusively by Landscape Forms. Reference the materials sheet for additional information.

Product Modifications

Don't see what you are looking for? Our goal is to partner with you as the designer to manufacture solutions needed for the space you are creating. We offer the option to modify our standard product to meet certain design specifications or needs. Contact your local Landscape Forms representative to learn more about these offerings.

Product Specifications

Ready to place an order or receive a quote for your project?
Reference the Candela specification sheet

Warranty

Urbidermis guarantees the composition and performance features of all material that shape the product for a period of three years. Electrical components including LED boards and electronic drivers are guaranteed for a period of five years.

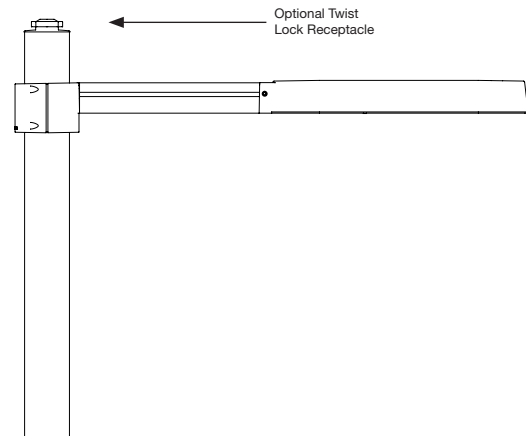
Other

UL Listed, CE, RoHS Compliant, Dark-Sky Approved



Designed by Urbidermis

Twist Lock Receptacle



Visit our [landscapeforms.com](https://www.landscapeforms.com) for more information. Specifications are subject to change without notice. Landscape Forms supports the Landscape Architecture Foundation at the Second Century level.
©2020 Landscape Forms, Inc. Printed in U.S.A.