



landscapeforms

Bancal

Designed to inspire joy, every day.

The simplicity and sincerity of Bancal benches and picnic tables, designed by distinguished duo Julià Espinàs and Olga Tarrasó for Urbidermis Santa & Cole, celebrates the importance of everyday outdoor experiences. Composed of folded steel understructures that anchor slatted Ipe wood tabletops, bench seats and backs, the furnishings are robust in form and function to serve the outdoor settings essential to people's comfort and enjoyment.





Bancal benches are scalable and modular, perfectly suited for creating precise runs along sidewalks, throughout pedestrian promenades, and in public meeting areas. They can also be alternated, offset, or aligned with their backrests to create thoughtful, site-specific installations that reinforce social wellbeing.





Complementing the benches, Bancal picnic tables are similarly minimal in design and invite groups or individuals to dine, work, or socialize. Throughout streetscapes, public parks, campuses, and hospitality destinations, Bancal benches and picnic tables utilize their purity of design and quality of materials and construction to ensure installations are virtually maintenance free and can withstand weather and wear with aplomb.



Materials

Vivid Series - Powdercoated Metal (Fine Texture)



Clay Lemon Mango Loll Sunset Orange Chili Loll Apple Red



Loll Leaf Green Moss Forest Loll Navy Blue

Neutral Series - Powdercoated Metal



Silver Metallic Mercury Metallic Steel Metallic Bronze Metallic Titanium Metallic



Gloss Black Gloss White

Materials (cont.)

Architectural Series - Powdercoated Metal (Fine Texture)



Fog



Obsidian



Matte Black



Terra



Nutmeg



Onyx



Sage

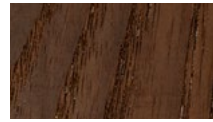


Blue Ash



Dusk

Woodgrains (Exterior, No Finish)

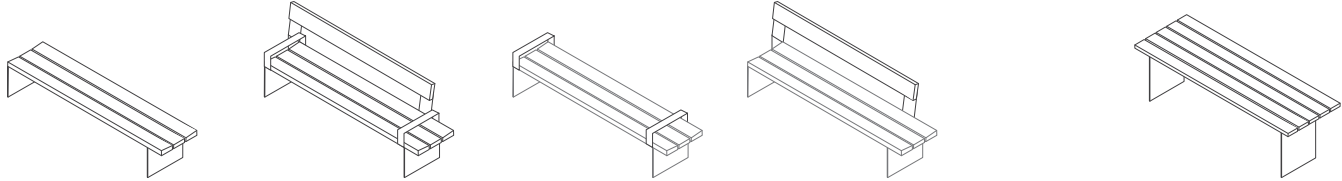


Domestically Sourced
Thermally Modified Ash



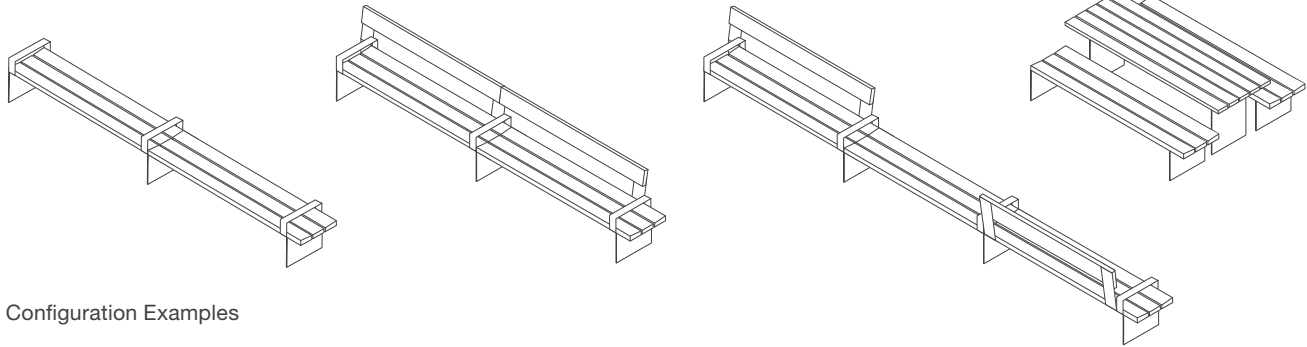
Ipe (P)

Statement of Line



Bench

Table



Configuration Examples



landscapeforms

Bancal