

Ashbery

landscapeforms

Specification Sheet | AP100/200/300



Ashbery is a trio of lights that combines advanced LED technology and optics with an homage to traditional-style lights that have a special place in the American lexicon. The line includes single or dual configurations for small scale area lights in 8', 10' and 12' pole heights as well as large-scale area lights in 12', 14' and 16' pole heights offered with different symmetric and asymmetric distributions and clear or diffused lenses to tailor directionality and ambiance of illumination. Options for the Landscape Forms visual comfort and high output light engines adapt Ashbery's performance specifically for the pedestrian scale or beyond in use cases like parking lots, streetscapes, transit and other environments with a wide range of illumination requirements.

Housing & Materials

Cast aluminum construction. LED light engine attached to aluminum cartridge housing using magni-coated steel screws. Housing features an acrylic frosted or clear lens and an LED center element. All hardware is magni-coated steel which features an anti-corrosion coating. Assembly is IP66 rated.

Electrical

120V through 277V 50/60 Hz electronic driver. 0-10V dimming. -40°C start temperature. LED cartridge with weatherproof quick disconnect provides ease of installation and serviceability. Cast aluminum driver housing assembly located at base of luminaire. Available with optional ANSI C136.41 twist lock receptacle and/or pole-mounted photo/motion sensor. Ashbery area light ships prewired with center element having a separate circuit from main light engine.

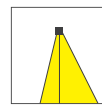
Light Engine

High powered LEDs mounted to a RoHS compliant circuit board with PMMA optics affixed to each LED on the board. Available in 2700K, 3000K, and 4000K. >80 CRI across all available color temperatures. Center element available in 2000K color temperature. Luminaries meet or exceed TM21 L70: >60,000 hrs.

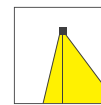
Featured in the 100 and 200 series luminaires, the visual comfort light engine brings to the forefront attributes of human-centric optical design in pedestrian centric spaces. It reduces high angle glare and contrast ratio, eliminates 'lens image' of LEDs, and has distributions that aid to a first class visual experience for pedestrians.

Featured in the 300 series luminaire, the performance light engine delivers high output with up to 8400 lumens through a wide selection of roadway distribution types. Capable of meeting footcandle minimum and uniformity requirements at taller pole heights and wider spacing, the 300 series addresses lighting needs in vehicular and other environments where design criteria includes non-pedestrian needs. The 300 series is the ideal accompaniment to the 100 and 200 series in meeting all lighting needs on a site, both pedestrian and vehicular.

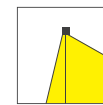
Distributions



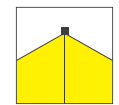
TII



TIII



TIV



TV

Warranty

LED lighting products are warranted for six years.

Certification

UL Listed for Wet Location, CE, International Dark Sky Approved, Buy America Compliant, RoHS Compliant, cUL



Designed by Robert A.M. Stern Architects

[Click here](#) for patent information related to this product.

Specification

Luminaire #1 _____

Luminaire #2 _____

Pole _____

Luminaire and Mounting Configurations - 100 Series

(Small Size Luminaire with Visual Comfort Light Engine)

Product	Drive Current	Color Temperature	Distribution	Lens	Center Element	Twist Lock	Powdercoat
AP101 <i>(Single Post-Top)</i> AP102 <i>(Double Post-top)</i>	SO <i>(Standard Output)</i>	27K <i>(2700K)</i>	T3 <i>(Type III)</i> T5 <i>(Type V)</i>	FRS <i>(Frosted)</i>	20K <i>(2000K)</i>	NTW <i>(No Twist Lock)</i> TW1 <i>(Twist Lock)</i>	See powdercoat color options on the Material / Colors Sheet.
		30K <i>(3000K)</i>					
		35K <i>(3500K)</i>					
		40K <i>(4000K)</i>					

Example: AP101 – SO – 27K – T3 – FRS – 20K – TW1 – Powdercoat

Luminaire and Mounting Configurations - 200 Series

(Full Size Luminaire with Visual Comfort Light Engine)

Product	Drive Current	Color Temperature	Distribution	Lens	Center Element	Twist Lock	Powdercoat
AP201 <i>(Single Post-Top)</i> AP202 <i>(Double Post-top)</i>	SO <i>(Standard Output)</i>	27K <i>(2700K)</i>	T3 <i>(Type III)</i> T5 <i>(Type V)</i>	FRS <i>(Frosted)</i>	20K <i>(2000K)</i>	NTW <i>(No Twist Lock)</i> TW1 <i>(Twist Lock)</i>	See powdercoat color options on the Material / Colors Sheet.
		30K <i>(3000K)</i>					
		35K <i>(3500K)</i>					
		40K <i>(4000K)</i>					

Example: AP202 – SO – 40K – T5 – FRS – 20K – NTW – Powdercoat

Luminaire and Mounting Configurations - 300 Series

(Full Size Luminaire with Visual Performance Light Engine)

Product	Drive Current	Color Temperature	Distribution	Lens	Center Element	Twist Lock	Powdercoat
AP301 <i>(18 LED / Single Post-Top)</i> AP302 <i>(18 LED / Double Post-top)</i> AP303 <i>(36 LED / Single Post-Top)</i> AP304 <i>(36 LED / Double Post-top)</i>	SO <i>(Standard Output)</i> HO <i>(High Output)</i>	27K <i>(2700K)</i>	T2 <i>(Type II)</i> T3 <i>(Type III)</i> T4 <i>(Type IV)</i> T5 <i>(Type V)</i>	CLR <i>(Clear)</i> FRS <i>(Frosted)</i>	20K <i>(2000K)</i>	NTW <i>(No Twist Lock)</i> TW1 <i>(Twist Lock)</i>	See powdercoat color options on the Material / Colors Sheet.
		30K <i>(3000K)</i>					
		35K <i>(3500K)</i>					
		40K <i>(4000K)</i>					

Example: AP304 – HO – 35K – T4 – CLR – 20K – NTW – Powdercoat

Poles

Part Number	Base Cover Option	Power Receptacle	Photo / Motion Sensor	Powdercoat	Pole Height	Lens Height	Pole Diameter
AP-8-A1* (Single Post-Top)	NUT (Nut Covers)	NR (No Power Receptacle)	NMS (No Motion Sensor)	See powdercoat color options on the Material / Colors Sheet	6 ft (1.8m)	8 ft (2.4m)	4" (102mm)
AP-10-A1* (Single Post-Top)					8 ft (2.4m)	10 ft (3.1m)	4" (102mm)
AP-12-A1* (Single Post-Top)					10 ft (3.1m)	12 ft (3.7m)	4" (102mm)
AP-12-B1* (Double Post-Top)					9.7 ft (3.7m)	12 ft (3.7m)	4" (102mm)
AP-12-A (Single Post-Top)					9.5 ft (2.9m)	12 ft (3.7m)	4" (102mm)
AP-12-B (Double Post-Top)					9 ft (2.7m)	12 ft (3.7m)	5" (127mm)
AP-14-A (Single Post-Top)	BC (Base Cover)	R (Power Receptacle)	MS1** (With Motion Sensor)		11.5 ft (3.5m)	14 ft (4.3m)	4" (102mm)
AP-14-B (Double Post-Top)					11 ft (3.4m)	14 ft (4.3m)	5" (127mm)
AP-16-A (Single Post-Top)					13.5 ft (4.1m)	16 ft (4.9m)	4" (102mm)
AP-16-B (Double Post-Top)					13 ft (4m)	16 ft (4.9m)	5" (127mm)

Example: AP-16-A – NUT – R – MS1 – Powdercoat

* For AP100 Series fixtures only

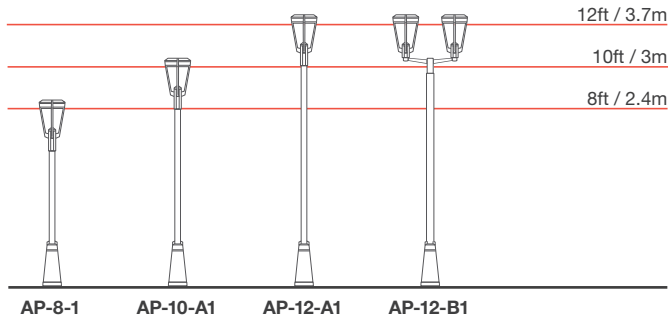
** Not available for 8' & 10' poles

Modifications

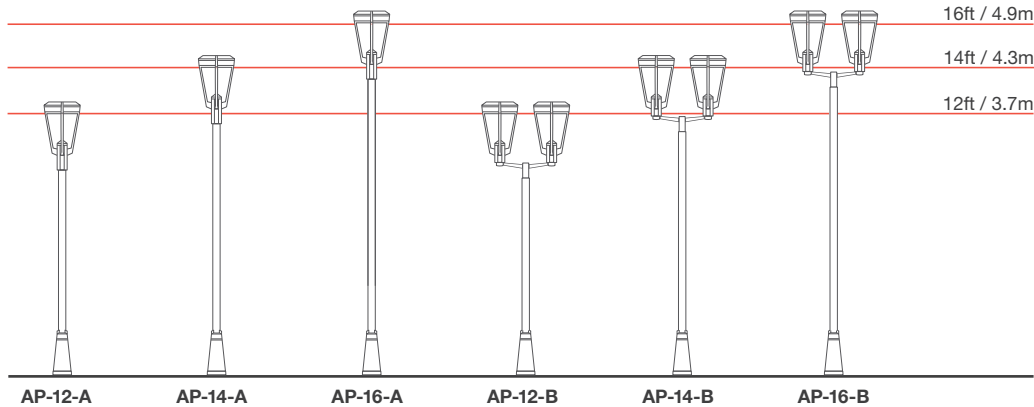
Part Number	Modification	Description
CAM	Camera	
SPE	Speaker	
WAP	WiFi Access Point	
BAN	Banner Arms	
VIB	Vibration Dampener	
CPH	Custom Pole Height	
CLH	Custom Lens Height	
CPC	Custom Powdercoat Color	
--	Other	

Modifications listed are the most common changes/additions requested. If your requirements aren't shown here, select 'other' and write in the modification needed. Please provide as much detail as possible to streamline the quoting process. All modifications to standard products will require evaluation and quoting approved by Landscape Forms prior to order placement.

Lens Height and Pole Configuration Selection Guide - AP100 Series Luminaires



Lens Height and Pole Configuration Selection Guide - AP200/300 Series Luminaires



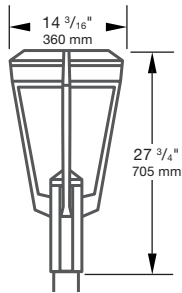
Pole & Base Cover

Manufactured from seamless aluminum alloy with a flush mounted hand hole cover. Base cover options include a cast aluminum, decorative, two-piece base cover or four cast aluminum nut covers. Mounting template and anchor hardware included. Anchor bolts conform to ASTM F1554 Grade 55 and are provided with two hex nuts and two flat washers. Bolts have an "L" bend on one end and are galvanized a minimum of 12" on the threaded end. Pole is topped with standard dimension 2-3/8" dia x 4" tenon.

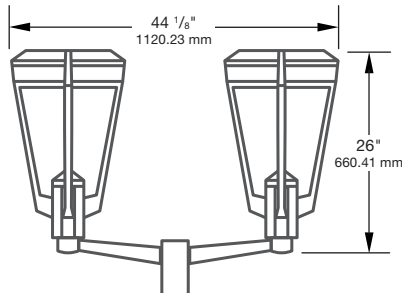
Mounting

Single and double luminaire design mounts to pole via a 2 3/8" x 4" tenon mount at the top of the pole with eight (8) magni-coated steel screws which is an anti-corrosion coating.

100 Series Luminaire Dimensions

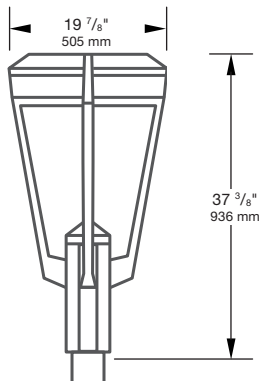


AP101
Weight: 30 lbs
EPA 1.45ft²

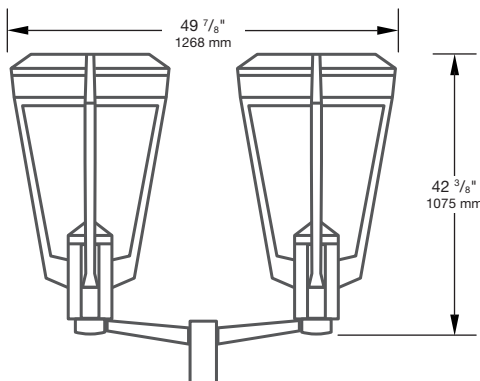


AP102
Weight: 65 lbs
EPA 3.52 ft²

200 and 300 Series Luminaire Dimensions

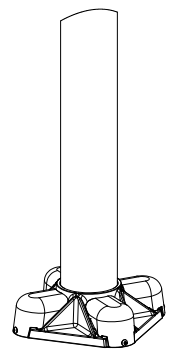
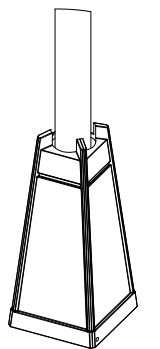
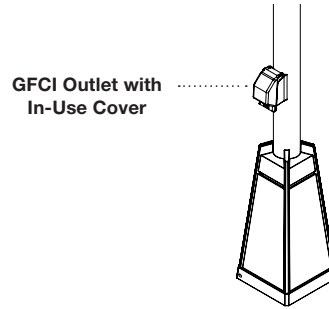
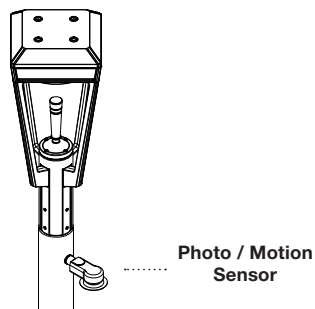
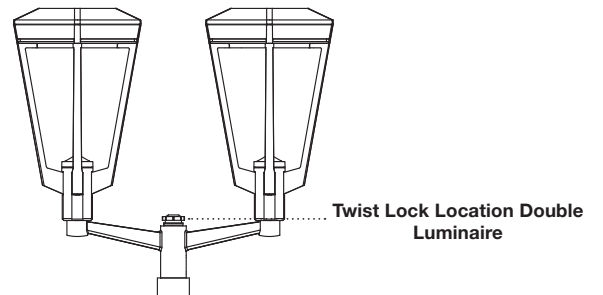
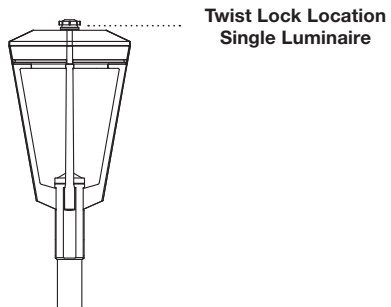


AP201/301
Weight: 55 lbs
EPA 2.57 ft



AP202/302
Weight: 115 lbs
EPA 5.45 ft

Luminaire & Pole Accessories



100 Series Luminaire Performance Data

(Small Size Luminaire with Visual Comfort Light Engine @ 3500K)

Drive Current	Lens	Distribution	Lumen Output *	Watts	BUG Rating
SO	Frosted	Type 3	1002	20	B0-U2-G1
SO	Frosted	Type 5	1864	42	B1-U1-G1

This data is subject to change.

* Apply 0.9 multiplier for 2700K, 0.96 for 3000K, and 1.007 for 4000K color temperatures.

200 Series Luminaire Performance Data

(Full Size Luminaire with Visual Comfort Light Engine @ 3500K)

Drive Current	Lens	Distribution	Lumen Output *	Watts	BUG Rating
SO	Frosted	Type 3	2313	39.5	B1-U1-G1
SO	Frosted	Type 5	4518	79	B2-U2-G1

This data is subject to change.

* Apply 0.93 multiplier for 2700K, 0.97 for 3000K, and 1.02 for 4000K color temperatures.

300 Series Luminaire Performance Data

(Full Size Luminaire with Performance Light Engine @ 3500K)

LED Quantity	Drive Current	Lens	Distribution	Lumen Output*	Watts	BUG Rating
18	SO	Clear	Type 2	2705	32	B1-U1-G1
			Type 3	2763	32	B1-U1-G1
			Type 4	2782	32	B1-U1-G1
			Type 5	3084	35	B1-U1-G0
		Frosted	Type 2	2507	32	B1-U1-G1
			Type 3	2502	32	B1-U1-G1
			Type 4	2502	32	B1-U1-G1
			Type 5	2805	35	B1-U1-G1
	HO	Clear	Type 2	4045	51	B1-U2-G1
			Type 3	4132	51	B1-U1-G1
			Type 4	4159	51	B1-U2-G1
			Type 5	4461	54	B2-U2-G0
		Frosted	Type 2	3749	51	B1-U1-G1
			Type 3	3741	51	B1-U1-G1
			Type 4	3740	51	B1-U1-G1
			Type 5	4035	54	B2-U1-G1
36	SO	Clear	Type 2	5178	60	B1-U2-G1
			Type 3	5289	60	B1-U2-G1
			Type 4	5324	60	B2-U2-G2
			Type 5	5844	66	B2-U2-G1
		Frosted	Type 2	4798	60	B1-U2-G1
			Type 3	4788	60	B1-U2-G1
			Type 4	4788	60	B2-U2-G1
			Type 5	5316	66	B2-U1-G1
	HO	Clear	Type 2	7708	97	B2-U2-G2
			Type 3	7873	97	B2-U2-G2
			Type 4	7926	97	B2-U2-G2
			Type 5	8366	104	B3-U2-G1
		Frosted	Type 2	7143	97	B2-U2-G1
			Type 3	7128	97	B2-U2-G1
			Type 4	7127	97	B2-U2-G2
			Type 5	7611	104	B2-U2-G1

This data is subject to change.

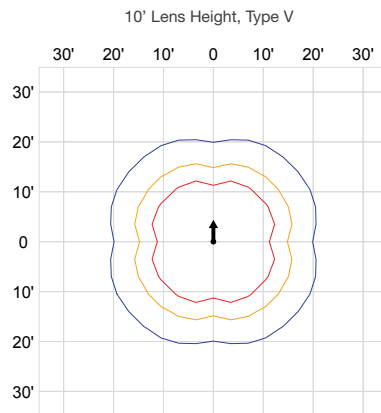
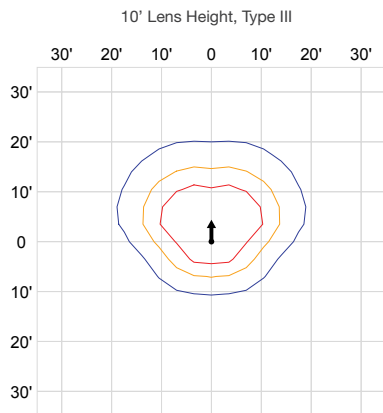
* Apply 0.9 multiplier for 2700K, 0.96 for 3000K, and 1.007 for 4000K color temperatures.

Specification Sheet | AP100/200/300

100 Series - 10'

Visual comfort light engine @ 3500K

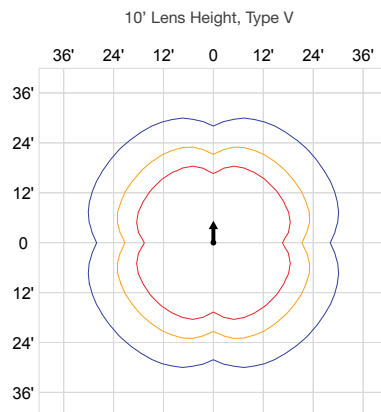
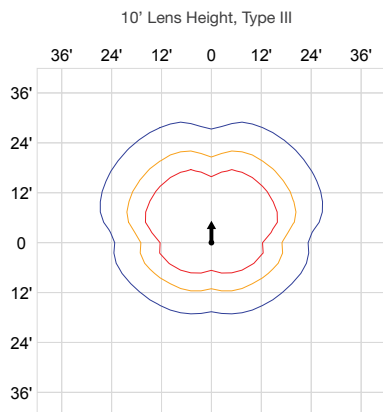
1.0fc 0.5fc 0.2fc



200 Series - 12'

Visual comfort light engine @ 3500K

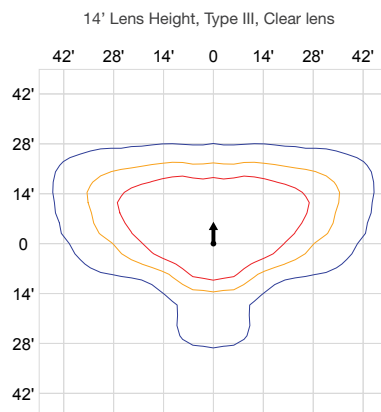
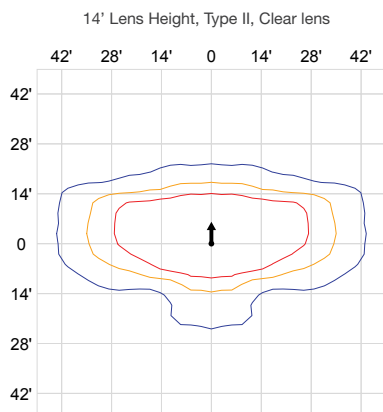
1.0fc 0.5fc 0.2fc



300 Series - 18 LED HO at 14'

Visual comfort light engine @ 3500K

1.0fc 0.5fc 0.2fc

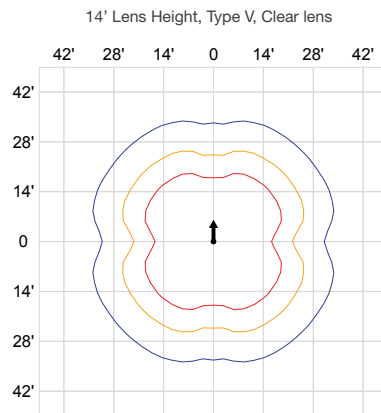
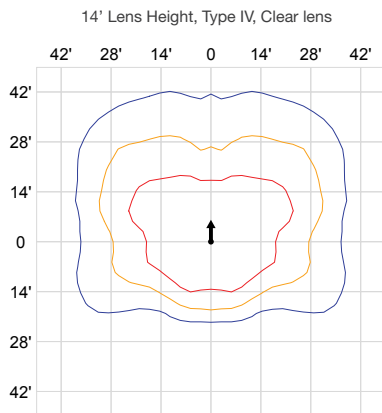


Specification Sheet | AP100/200/300

300 Series - 18 LED HO at 14'

Visual comfort light engine @ 3500K

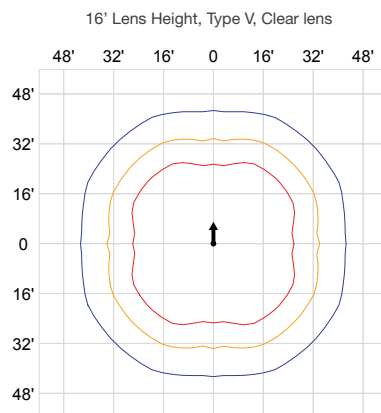
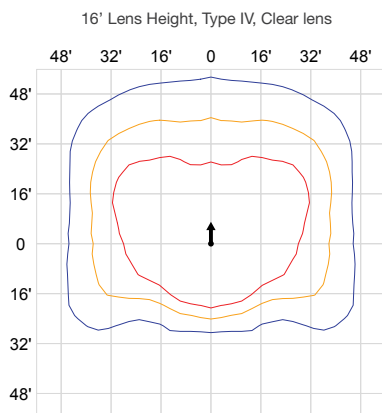
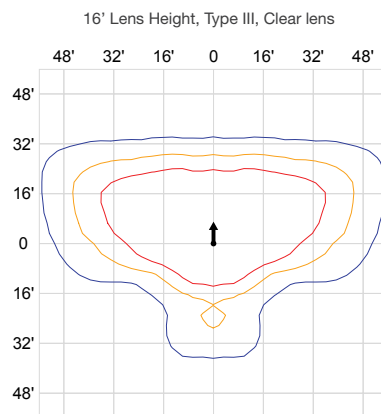
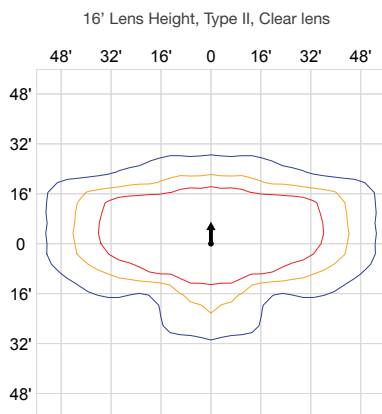
1.0fc 0.5fc 0.2fc



300 Series - 36 LED HO at 16'

Visual comfort light engine @ 3500K

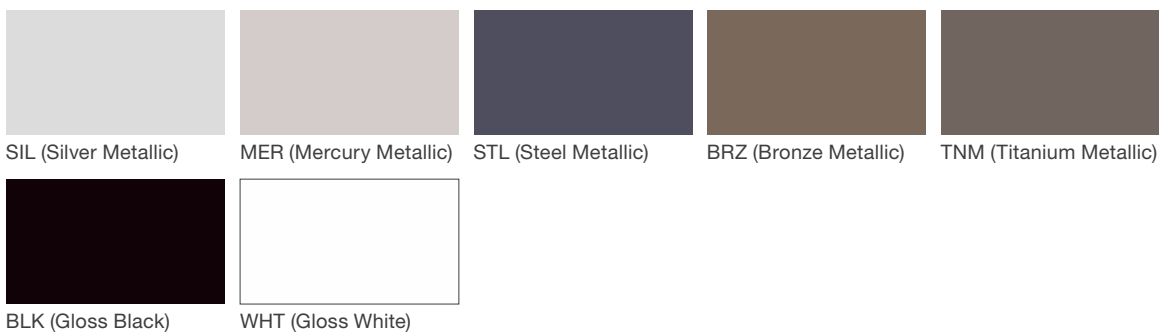
1.0fc 0.5fc 0.2fc



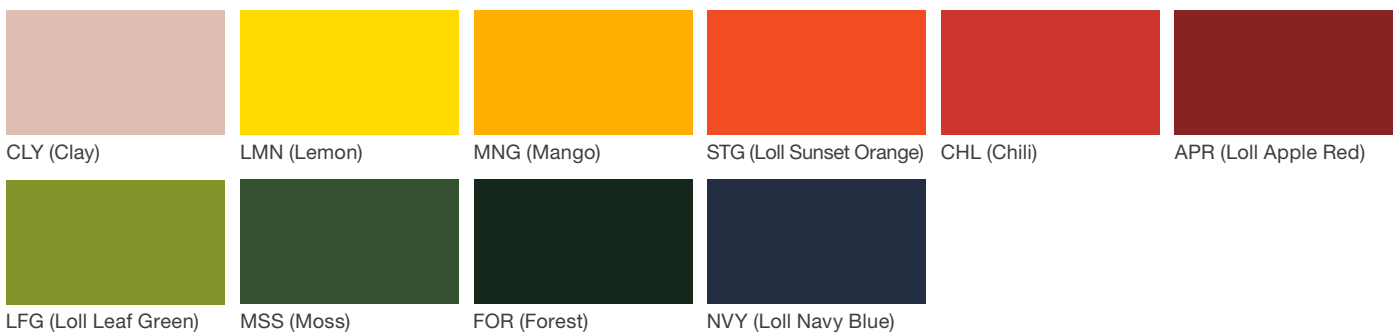
Architectural Series - Powdercoated Metal* (Fine Texture)



Neutral Series - Powdercoated Metal*



Vivid Series - Powdercoated Metal* (Fine Texture)



Powdercoated Metal

Powdercoated Metal Pangard II® Polyester Powdercoat is a hard, yet flexible, finish that resists rusting, chipping, peeling and fading. In addition to colors shown, a wide selection of optional and custom colors may be specified for an upcharge.

* All colors and patterns shown are approximate and may vary from sample and final.

Visit landscapeforms.com for more information.

Specifications are subject to change without notice.

©2024 Landscape Forms, Inc. Printed in U.S.A.

landscapeforms.com | specify@landscapeforms.com