

Gunnar

landscapeforms®

Spec Sheet | GUxP



Gunnar designed by Antoni Roselló for Urbidermis is a unique floodlight system with functionality as versatile as its universally modern aesthetic. Gunnar is inspired by the work of neoclassical Swedish architect Gunnar Asplund. Its systematic approach centers around its floodlight projector, a robust LED luminaire whose fluted housing takes cues from the columns of classical architectural orders. While bridging traditional and contemporary design language, Gunnar remains minimal and modern, offering a worldly aesthetic and broad versatility. Wall-mounted, catenary, or pole-mounted in a variety of heights with up to four projectors per single pole, Gunnar provides myriad options for layered lighting in outdoor architectural and urban environments.

Housing & Materials

Extruded aluminum body construction with tempered glass diffuser lens and a threaded weatherproof cord grip. Housing features polymer sealing gasket as well as stainless steel screws.

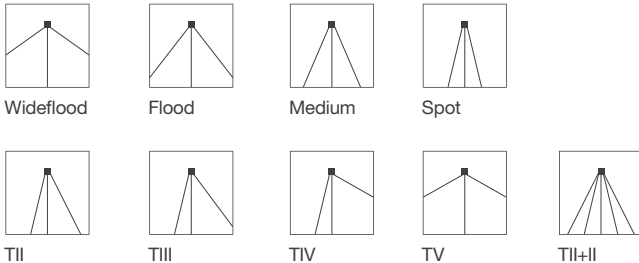
Electrical

120V through 277V 50/60 Hz integrated electronic driver. 0-10V dimming. -40°C start temperature. Available with optional ANSI C136.41 twist lock receptacle. Gunnar ships prewired and fully assembled.

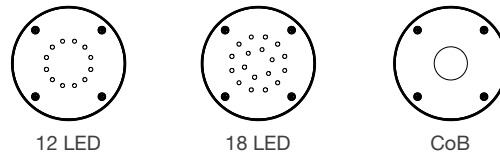
Light Engines

High powered LEDs mounted to a RoHS compliant circuit board with PMMA optics affixed to each LED on the board. Available in 3000K and 4000K. >80 CRI across all available color temperatures.

Distributions



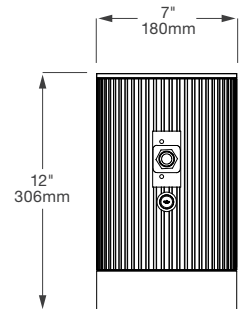
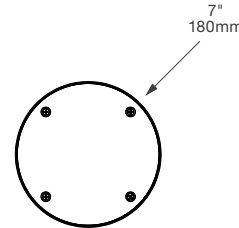
LED Configurations



12 LED

18 LED

CoB



Weight: 10.5 lbs (luminaire only)
EPA: 0.58 ft²

TM21 L70(10k): >60,000hrs
Protection Class: IP66

Warranty

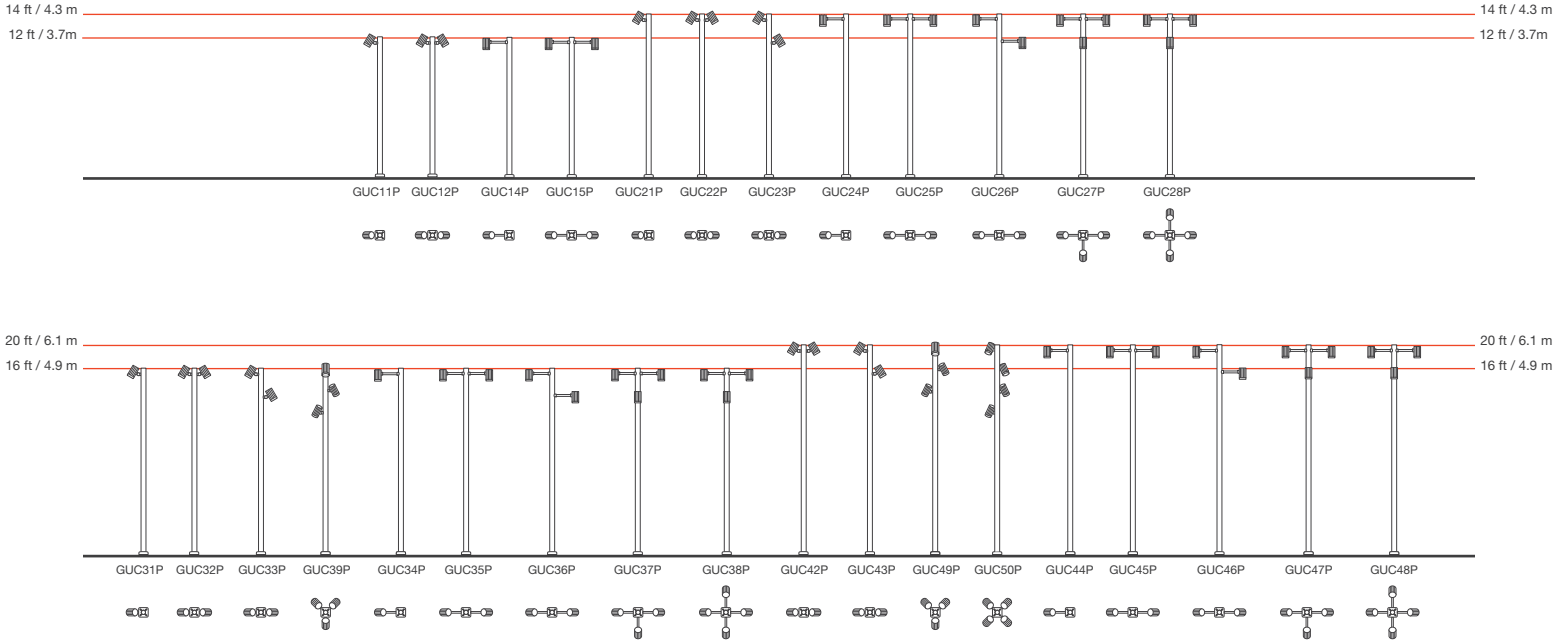
Urbidermis guarantees the composition and performance features of all material that shape the product for a period of three years. Electrical components including LED boards and electronic drivers are guaranteed for a period of five years.

Certification

UL Listed for Wet Location, CE, International Dark Sky Approved, RoHS Compliant



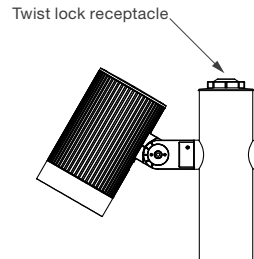
Designed by Antoni Roselló for Urbidermis



See customer drawings for luminaire mounting height details.

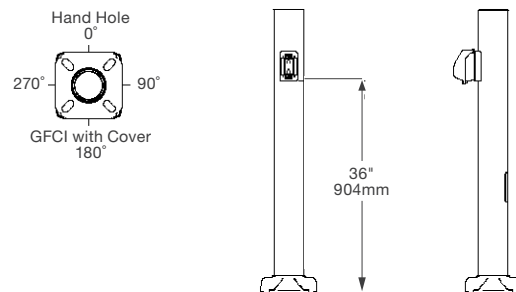
Pole

Straight, round pole is 5" diameter. Manufactured from seamless 6063 aluminum alloy and heat treated to produce a T6 temper. Flush mounted hand hole cover includes two magnicoated fasteners. Base plate is cast aluminum A356 alloy heat treated to a T6 temper and includes four cast aluminum nut covers. Mounting template and anchor hardware is also included. Anchor bolts conform to ASTM F1554 Grade 55 and are provided with two hex nuts and two flat washers. Bolts have an "L" bend on one end and are galvanized a minimum of 12" on the threaded end.



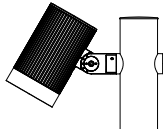
Power Receptacle

Power receptacle option features an external cast aluminum festoon powdercoated to match pole, standard GFCI receptacle and gasketed heavy-duty die-cast aluminum construction in-use cover. Complies with 2014 Article 406.9(B)(1) for Wet Locations and Extra-Duty Applications.

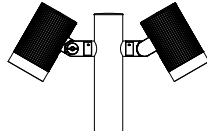


Pole and Wall Mounting

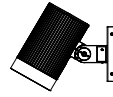
The Gunnar luminaire has a variety of accessories to adapt it to different configurations. For pole mounted applications, a cast aluminum single adjustable bracket or a single/double arm mounting bracket will attach to a 5" diameter section of pole via a fixed flange or through-bolt. For wall mounted applications, Gunnar will attach via a cast aluminum bracket that includes a cast aluminum wall cover plate. All hardware made from stainless steel.



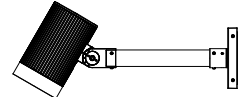
Single Adjustable Bracket
Weight: 2 lbs (bracket only)
EPA: 0.1 ft²



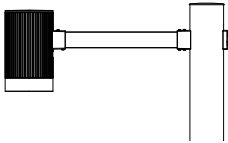
Double Adjustable Bracket
Weight: 4 lbs (bracket only)
EPA: 0.2ft²



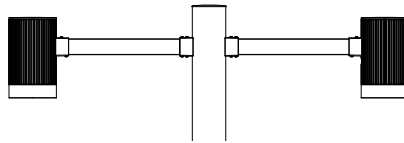
Short Wall Mount Bracket
Weight: 3 lbs (bracket only)
EPA: 0.18ft²



Long Wall mount bracket
Weight: 4.5 lbs (bracket only)
EPA: 0.45ft²



Single Arm
Weight: 2 lbs (bracket only)
EPA: 0.3ft²

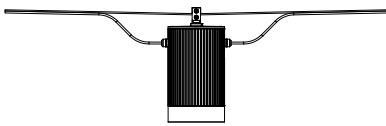


Double Arm
Weight: 3.5 lbs (bracket only)
EPA: 0.58ft²

Catenary Mounting

For catenary applications, the Gunnar will feature a cast aluminum support cable bracket. Gunnar will feature a Loop in/out cord grip design for multiple fixtures on the same line applications. If only one luminaire per span, a waterproof grommet will be provided for the second cord grip opening. Please note that the support cable and electrical cable are not included.

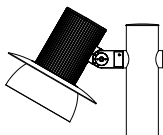
Electrical cable size range: 7-10.5mm, Support cable size range: 4-6mm



Catenary Double Entry
Weight: 0.5 lbs (bracket only)
EPA: 0.03ft²

Shade Accessory

Shade accessory comes in two pieces and consists of a thermoformed PMMA diffuser shade and an aluminum ULOR shade for mitigating back-light. Aluminum shade piece powder-coated to match luminaire.



Weight: 2.2 lbs (shade only)
EPA: 0.4ft²

Performance Data

Model	System Power	LED Quantity	CCT	Drive Current	Wide Flood (WF) 70° Beam Angle			Flood (F) 50° Beam Angle			Medium (M) 30° Beam Angle		
					Delivered Lumens*	Efficacy*	BUG Rating	Delivered Lumens*	Efficacy*	BUG Rating	Delivered Lumens*	Efficacy*	BUG Rating
GUxP12A1xx	15	12	3000	350	1373	92	B1-U0-G0	1412	94	B1-U0-G0	1435	96	B1-U0-G0
GUxP12B1xx	21			500	1857	88	B1-U0-G0	1910	91	B2-U0-G0	1941	92	B2-U0-G0
GUxP12C1xx	29			700	2537	87	B2-U0-G0	2610	90	B2-U0-G0	2652	91	B2-U0-G0
GUxP12A2xx	15		4000	350	1426	95	B1-U0-G0	1468	98	B2-U0-G0	1491	99	B1-U0-G0
GUxP12B2xx	21			500	1929	92	B1-U0-G0	1985	95	B2-U0-G0	2017	96	B2-U0-G0
GUxP12C2xx	29			700	2636	91	B2-U0-G0	2711	93	B2-U0-G0	2755	95	B2-U0-G0
GUxP18A1xx	20	18	3000	350	2162	108	B2-U0-G0	2224	111	B2-U0-G0	2260	113	B2-U0-G0
GUxP18B1xx	29			500	2911	100	B2-U0-G0	3014	104	B3-U0-G0	3055	105	B2-U0-G0
GUxP18C1xx	40			700	3959	99	B2-U0-G0	4073	102	B3-U0-G0	4138	103	B3-U0-G0
GUxP18A2xx	20		4000	350	2246	112	B2-U0-G0	2311	116	B2-U0-G0	2348	117	B2-U0-G0
GUxP18B2xx	29			500	3162	109	B2-U0-G0	3253	112	B3-U0-G0	3305	114	B3-U0-G0
GUxP18C2xx	40			700	4113	103	B3-U0-G0	4231	106	B3-U0-G0	4299	107	B3-U0-G0
GUxPCA1WF	21	CoB (Chip on Board)	3000	350	1807	86	B2-U0-G0	--	--	--	--	--	--
GUxPCB1WF	30			500	2444	81	B3-U0-G0	--	--	--	--	--	--
GUxPCC1WF	42			700	3339	80	B3-U0-G0	--	--	--	--	--	--
GUxPCA2WF	21		4000	350	1877	89	B2-U0-G0	--	--	--	--	--	--
GUxPCB2WF	30			500	2539	85	B3-U0-G0	--	--	--	--	--	--
GUxPCC2WF	42			700	3469	83	B3-U0-G0	--	--	--	--	--	--

This data is subject to change.

*Apply 0.93 multiplier for opal / diffused lens option.

Performance Data

Model	System Power	LED Quantity	CCT	Drive Current	Spot (S) 18° Beam Angle			Type II (TII) IES Type II			Type III (TIII) IES Type III		
					Delivered Lumens*	Efficacy*	BUG Rating	Delivered Lumens*	Efficacy*	BUG Rating	Delivered Lumens*	Efficacy*	BUG Rating
GUxP12A1xx	15	12	3000	350	1457	97	B2-U0-G0	1268	85	B1-U0-G0	1237	82	B0-U0-G0
GUxP12B1xx	21			500	1970	94	B2-U0-G0	1715	82	B1-U0-G1	1673	80	B0-U0-G0
GUxP12C1xx	29			700	2692	93	B3-U0-G0	2343	81	B1-U0-G1	2286	79	B0-U0-G0
GUxP12A2xx	15		4000	350	1514	101	B2-U0-G0	1317	88	B1-U0-G0	1285	86	B0-U0-G0
GUxP12B2xx	21			500	2047	97	B2-U0-G0	1782	85	B1-U0-G1	1738	83	B0-U0-G0
GUxP12C2xx	29			700	2797	96	B3-U0-G0	2434	84	B1-U0-G1	2374	82	B0-U0-G0
GUxP18A1xx	20	18	3000	350	2294	115	B3-U0-G0	1997	100	B1-U0-G1	1948	97	B0-U0-G0
GUxP18B1xx	29			500	3103	107	B3-U0-G0	2701	93	B1-U0-G1	2626	91	B1-U0-G1
GUxP18C1xx	40			700	4200	105	B3-U0-G0	3656	91	B1-U0-G1	3566	89	B1-U0-G1
GUxP18A2xx	20		4000	350	2383	119	B3-U0-G0	2074	104	B1-U0-G1	2024	101	B0-U0-G0
GUxP18B2xx	29			500	3355	116	B3-U0-G0	2920	101	B1-U0-G1	2848	98	B1-U0-G1
GUxP18C2xx	40			700	4364	109	B3-U0-G0	3799	95	B1-U0-G1	3705	93	B1-U0-G1

This data is subject to change.

*Apply 0.93 multiplier for opal / diffused lens option.

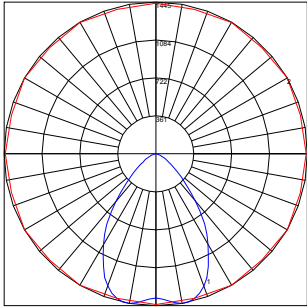
Performance Data (cont.)

Model	System Power	LED Quantity	CCT	Drive Current	Type IV (TIV) IES Type IV			Type V (TV) IES Type V			Type II+II IES Type III		
					Delivered Lumens*	Efficacy*	BUG Rating	Delivered Lumens*	Efficacy*	BUG Rating	Delivered Lumens*	Efficacy*	BUG Rating
GUxP12A1xx	15	12	3000	350	1195	80	B0-U0-G0	1280	85	B1-U0-G0	1200	80	B1-U0-G1
GUxP12B1xx	21			500	1617	77	B0-U0-G0	1731	82	B1-U0-G0	1623	77	B1-U0-G1
GUxP12C1xx	29			700	2209	76	B1-U0-G1	2365	82	B1-U0-G0	2217	76	B1-U0-G1
GUxP12A2xx	15		4000	350	1242	83	B0-U0-G0	1330	89	B1-U0-G0	1246	83	B1-U0-G1
GUxP12B2xx	21			500	1680	80	B1-U0-G0	1799	86	B1-U0-G0	1686	80	B1-U0-G1
GUxP12C2xx	29			700	2295	79	B1-U0-G1	2457	85	B1-U0-G0	2303	79	B1-U0-G1
GUxP18A1xx	20	18	3000	350	1882	94	B1-U0-G1	2015	101	B1-U0-G0	1889	94	B1-U0-G1
GUxP18B1xx	29			500	2552	88	B1-U0-G1	2715	94	B1-U0-G0	2661	92	B1-U0-G1
GUxP18C1xx	40			700	3447	86	B1-U0-G1	3690	92	B2-U0-G0	3460	87	B2-U0-G1
GUxP18A2xx	20		4000	350	1956	98	B1-U0-G1	2094	105	B1-U0-G0	1963	98	B1-U0-G1
GUxP18B2xx	29			500	2753	95	B1-U0-G1	2947	102	B1-U0-G0	2763	95	B1-U0-G1
GUxP18C2xx	40			700	3581	90	B1-U0-G1	3834	96	B2-U0-G0	3594	90	B2-U0-G1

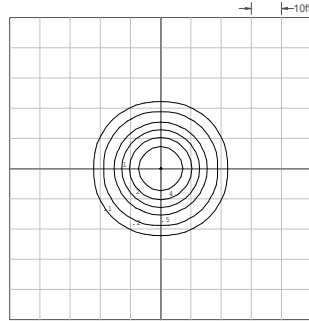
This data is subject to change.

*Apply 0.93 multiplier for opal / diffused lens option.

GUxP18A1WF

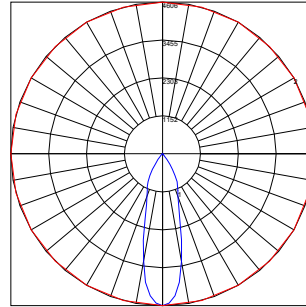


Maximum Candela = 1444.73
Located At Horizontal Angle = 30,
Vertical Angle = 12.5

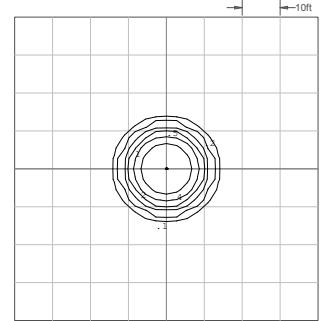


14ft (4.3m) pole, single luminaire depicted.

GUxPCA1WF

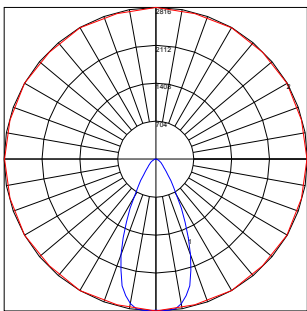


Maximum Candela = 44272.53
Located At Horizontal Angle = 90,
Vertical Angle = 0

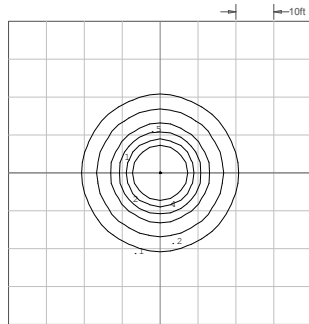


14ft (4.3m) pole, single luminaire depicted.

GUxP18A1F

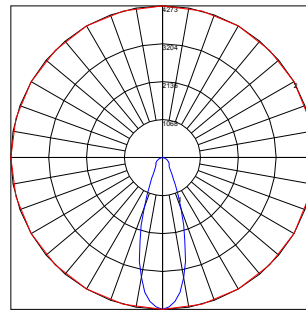


Maximum Candela = 2816.12
Located At Horizontal Angle = 90,
Vertical Angle = 5

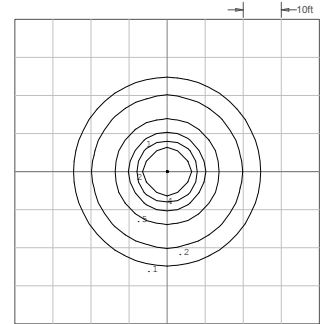


14ft (4.3m) pole, single luminaire depicted.

GUxP18A1M

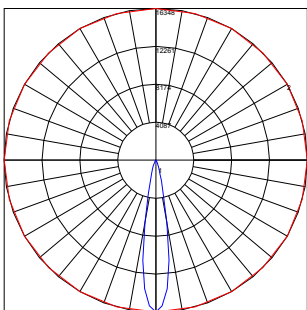


Maximum Candela = 4272.53
Located At Horizontal Angle = 90,
Vertical Angle = 0

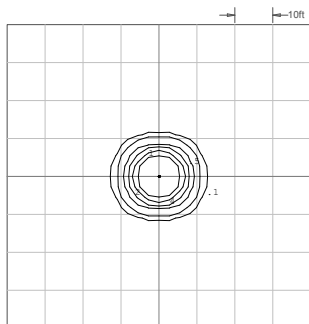


14ft (4.3m) pole, single luminaire depicted.

GUxP18A1S

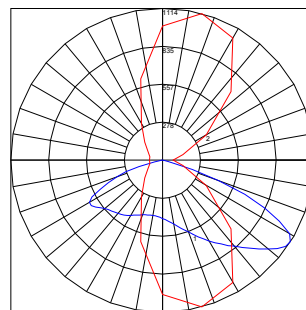


Maximum Candela = 16347.67
Located At Horizontal Angle = 90,
Vertical Angle = 0

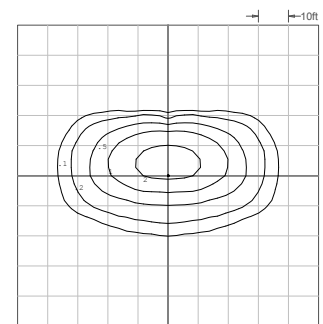


14ft (4.3m) pole, single luminaire depicted.

GUxP18A1TII

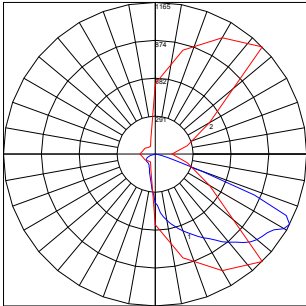


Maximum Candela = 1113.8
Located At Horizontal Angle = 285,
Vertical Angle = 57.5

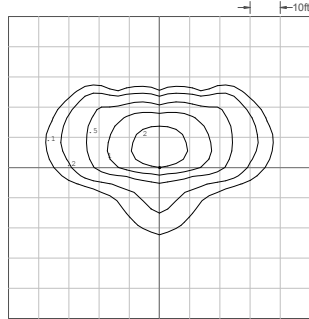


14ft (4.3m) pole, single luminaire depicted.

GUxP18A1TIII

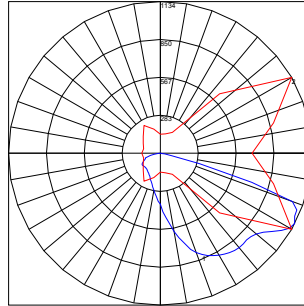


Maximum Candela = 1164.69
 Located At Horizontal Angle = 315,
 Vertical Angle = 62.5

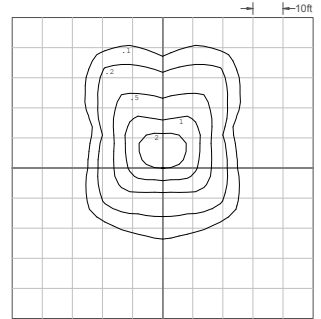


14ft (4.3m) pole, single luminaire depicted.

GUxP18A1TIV

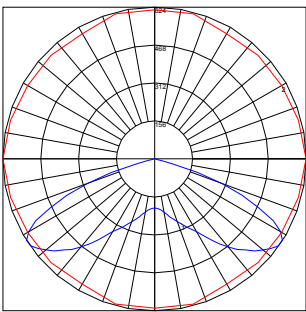


Maximum Candela = 1133.76
 Located At Horizontal Angle = 330,
 Vertical Angle = 62.5

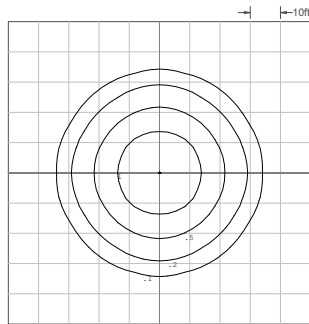


14ft (4.3m) pole, single luminaire depicted.

GUxP18A1TV

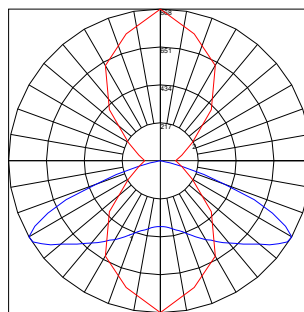


Maximum Candela = 623.94
 Located At Horizontal Angle = 0,
 Vertical Angle = 57.5

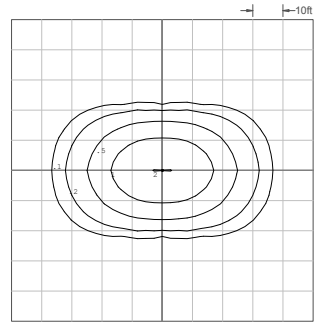


14ft (4.3m) pole, single luminaire depicted.

GUxP18A1TII+II



Maximum Candela = 868.01
 Located At Horizontal Angle = 270,
 Vertical Angle = 60



14ft (4.3m) pole, single luminaire depicted.

Pole & Wall Mount Luminaire

Product	LED Configuration	Drive Current	Color Temperature	Distribution	Lens
GU1P	12	A (350 mA)	1 (3000K)	WF (Wide Flood)	Null (Clear)
	18	B (500 mA)	2 (4000K)	F (Flood)	O (Opal/Diffused)
	CoB *	C (700 mA)		M (Medium) S (Spot) TII (Type 2) TIII (Type 3) TIV (Type 4) TV (Type 5) TII+II (Quad Oval)	

Example: GU1P – 12 – A – 1 – TII – O – Powdercoat

* CoB provides a Wide Flood distribution only.

Catenary Mount Luminaire

Product	LED Configuration	Drive Current	Color Temperature	Distribution	Lens
GU2P	12	A (350 mA)	1 (3000K)	WF (Wide Flood)	Null (Clear)
	18	B (500 mA)	2 (4000K)	F (Flood)	O (Opal/Diffused)
	CoB *	C (700 mA)		M (Medium) S (Spot) TII (Type 2) TIII (Type 3) TIV (Type 4) TV (Type 5) TII+II (Quad Oval)	

Example: GU2P – 18 – C – 1 – M – O – Powdercoat

* CoB provides a Wide Flood distribution only.

Mounting Accessories

Product	Bracket
GUA	01 (<i>Single Adjustable</i>)
	03 (<i>Double Adjustable</i>)
	04 (<i>Single Arm</i>)
	05 (<i>Double Arm</i>)
	06 (<i>Short Wall</i>)
	07 (<i>Long Wall</i>)

Example: GUA – 05 – Powdercoat

Luminaire Accessories

Product	Accessories
GUA	08 (<i>Comfort ULOR Shade</i>)

Example: GUA – 08 – Powdercoat

Pole

Height	Pole No.	Mounting	Diameter	Wall Thickness	Weight
12 ft (3.7m)	GUC11P	(1) Single Adjustable Bracket	Straight 5" (127mm)	0.125" (3.175mm)	32 lbs
12 ft (3.7m)	GUC12P	(1) Double Adjustable Bracket, Back-to-Back	Straight 5" (127mm)	0.125" (3.175mm)	32 lbs
12 ft (3.7m)	GUC14P	(1) Single Arm	Straight 5" (127mm)	0.125" (3.175mm)	32 lbs
12 ft (3.7m)	GUC15P	(1) Double Arm	Straight 5" (127mm)	0.125" (3.175mm)	32 lbs
14 ft (4.3m)	GUC21P	(1) Single Adjustable Bracket	Straight 5" (127mm)	0.125" (3.175mm)	36 lbs
14 ft (4.3m)	GUC22P	(1) Double Adjustable bracket, Back-to-Back	Straight 5" (127mm)	0.125" (3.175mm)	36 lbs
14 ft (4.3m)	GUC23P	(2) Single Adjustable Brackets, Staggered Heights, 180° Orientation	Straight 5" (127mm)	0.125" (3.175mm)	36 lbs
14 ft (4.3m)	GUC24P	(1) Single Arm	Straight 5" (127mm)	0.125" (3.175mm)	36 lbs
14 ft (4.3m)	GUC25P	(1) Double Arm	Straight 5" (127mm)	0.125" (3.175mm)	36 lbs
14 ft (4.3m)	GUC26P	(2) Single Arms, Staggered Heights, 180° Orientation	Straight 5" (127mm)	0.125" (3.175mm)	36 lbs
14 ft (4.3m)	GUC27P	(1) Double Arm, (1) Single arm, Staggered, 90° Orientation	Straight 5" (127mm)	0.125" (3.175mm)	36 lbs
14 ft (4.3m)	GUC28P	(2) Double Arms, Staggered, 90° Orientation	Straight 5" (127mm)	0.156" (3.962mm)	44 lbs

Pole

Height	Pole No.	Mounting	Diameter	Wall Thickness	Weight
16 ft (4.9m)	GUC31P	(1) Single Adjustable Bracket	Straight 5" (127mm)	0.125" (3.175mm)	41 lbs
16 ft (4.9m)	GUC32P	(1) Double Adjustable Bracket, Back-to-Back	Straight 5" (127mm)	0.125" (3.175mm)	41 lbs
16 ft (4.9m)	GUC33P	(2) Single Adjustable Brackets, Staggered Heights, 180° Orientation	Straight 5" (127mm)	0.125" (3.175mm)	41 lbs
16 ft (4.9m)	GUC34P	(1) Single Arm	Straight 5" (127mm)	0.125" (3.175mm)	41 lbs
16 ft (4.9m)	GUC35P	(1) Double Arm	Straight 5" (127mm)	0.125" (3.175mm)	41 lbs
16 ft (4.9m)	GUC36P	(2) Single Arms, Staggered Heights, 180° Orientation	Straight 5" (127mm)	0.125" (3.175mm)	41 lbs
16 ft (4.9m)	GUC37P	(1) Double Arm, (1) Single Arm, Staggered, 90° Orientation	Straight 5" (127mm)	0.125" (3.175mm)	41 lbs
16 ft (4.9m)	GUC38P	(2) Double Arms, Staggered, 90° Orientation	Straight 5" (127mm)	0.156" (3.962mm)	50 lbs
16 ft (4.9m)	GUC39P	(3) Single Adjustable Brackets, Spiraled, 120° Orientation	Straight 5" (127mm)	0.125" (3.175mm)	41 lbs
20 ft (6.1m)	GUC42P	(1) Double Adjustable Bracket, Back-to-Back	Straight 5" (127mm)	0.125" (3.175mm)	50 lbs
20 ft (6.1m)	GUC43P	(2) Single Adjustable Brackets, Staggered Heights, 180° Orientation	Straight 5" (127mm)	0.125" (3.175mm)	50 lbs
20 ft (6.1m)	GUC44P	(1) Single Arm	Straight 5" (127mm)	0.125" (3.175mm)	50 lbs
20 ft (6.1m)	GUC45P	(1) Double Arm	Straight 5" (127mm)	0.156" (3.962mm)	61 lbs
20 ft (6.1m)	GUC46P	(2) Single Arms, Staggered Heights, 180° Orientation	Straight 5" (127mm)	0.156" (3.962mm)	61 lbs
20 ft (6.1m)	GUC47P	(1) Double Arm, (1) Single Arm, Staggered, 90° Orientation	Straight 5" (127mm)	0.156" (3.962mm)	61 lbs
20 ft (6.1m)	GUC48P	(2) Double Arms, Staggered, 90° Orientation	Straight 5" (127mm)	0.188" (4.775mm)	72 lbs
20 ft (6.1m)	GUC49P	(3) Single Adjustable Brackets, Spiraled, 120° Orientation	Straight 5" (127mm)	0.125" (3.175mm)	50 lbs
20 ft (6.1m)	GUC50P	(4) Single Adjustable Brackets, Spiraled, 90° Orientation	Straight 5" (127mm)	0.156" (3.962mm)	61 lbs

Control Options

Twist Lock Receptacle
T (Twist Lock)
NT (No Twist Lock)

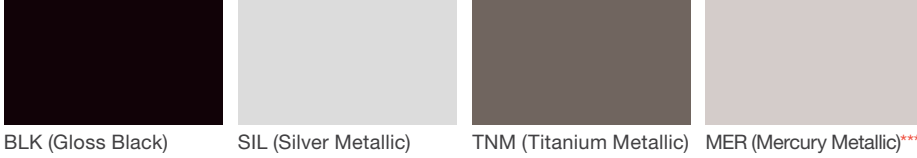
Example: GUC43P – T – Powdercoat

Power Receptacle Option

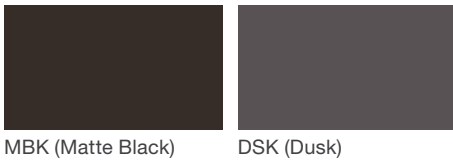
Power Receptacle*
R (Power Receptacle)
NR (No Power Receptacle)

Example: GUC50C – R – Powdercoat
 *In-use cover; wet location listed when cover is closed.
 Handhole must be 18" from GFCI. GFCI is default location
 Orientation: 180°; Height: 36" A.F.G.

Neutral Series - Powdercoated Metal* (Poles Only)**



Architectural Series - Powdercoated Metal* (Fine Texture, Poles Only)**



Luminaire and Mounting Brackets*



Powdercoated Metal

Urbidermis luminaire and mounting brackets are powdercoated using a thermal coating finish with C3 anti-corrosive protection.

Urbidermis luminaire and mounting brackets, in addition to the poles, can be specified with Landscape Forms' Powdercoated Metal Pangard II® Polyester Powdercoat.

The Powdercoated Metal Pangard II® Polyester Powdercoat is a hard, yet flexible, finish that resists rusting, chipping, peeling and fading. In addition to colors shown, a wide selection of optional and custom colors may be specified for an upcharge.

- * Luminaire and mounting brackets colors shown are the color options offered from Urbidermis.
- ** All colors and patterns shown are approximate and may vary from sample and final.
- *** Mercury from Landscape Forms is our recommended color match for Aluminum Silver from Urbidermis.

Visit landscapeforms.com for more information. Specifications are subject to change without notice. Landscape Forms supports the Landscape Architecture Foundation at the Second Century level. ©2023 Landscape Forms, Inc.

landscapeforms.com | specify@landscapeforms.com